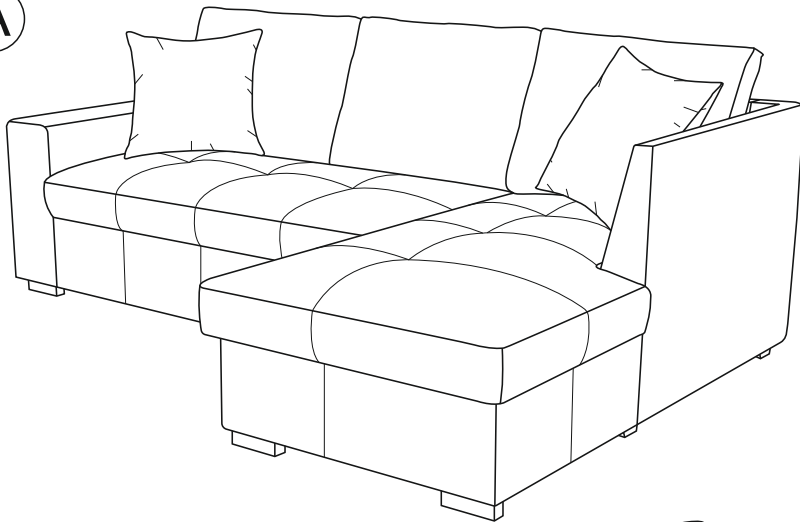


| HOME GROUP | [®]

Lukas 2F.OTM/BK Lukas OTM/BK.2F

04-05/2022

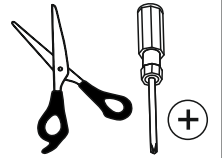
A



x2

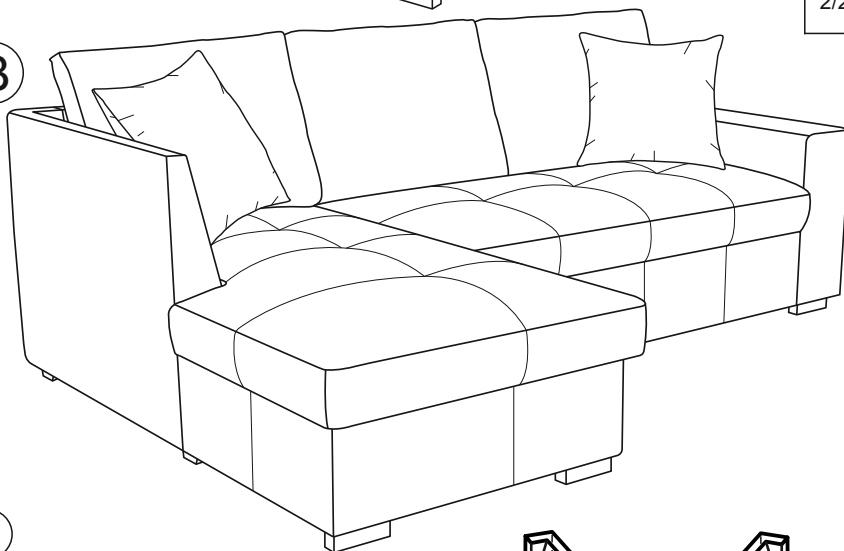


60 MIN

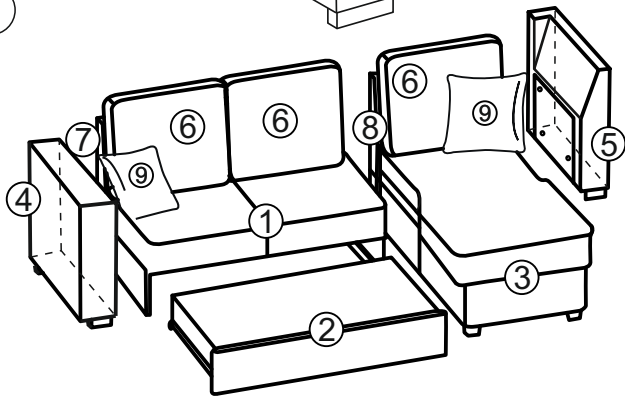


1/2	REC/BK	3,7,8,6(1)	1600x880x430
2/2	2F	1,2,4,5,6(2),9	1400x940x670

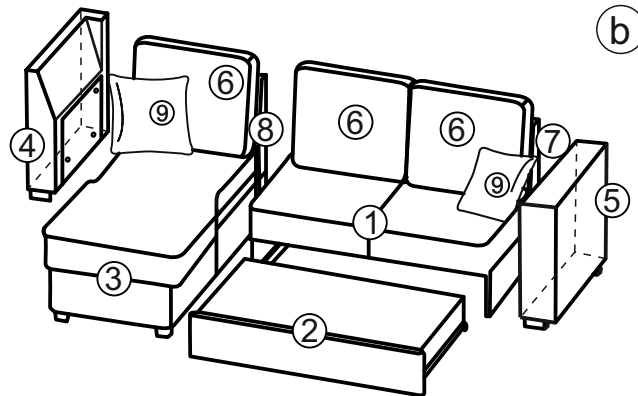
B



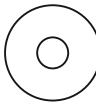
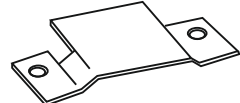


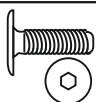
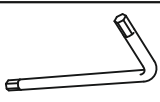
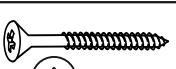
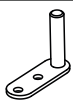

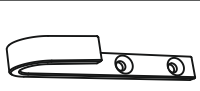
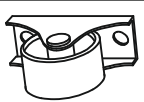
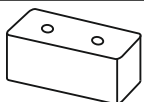


a

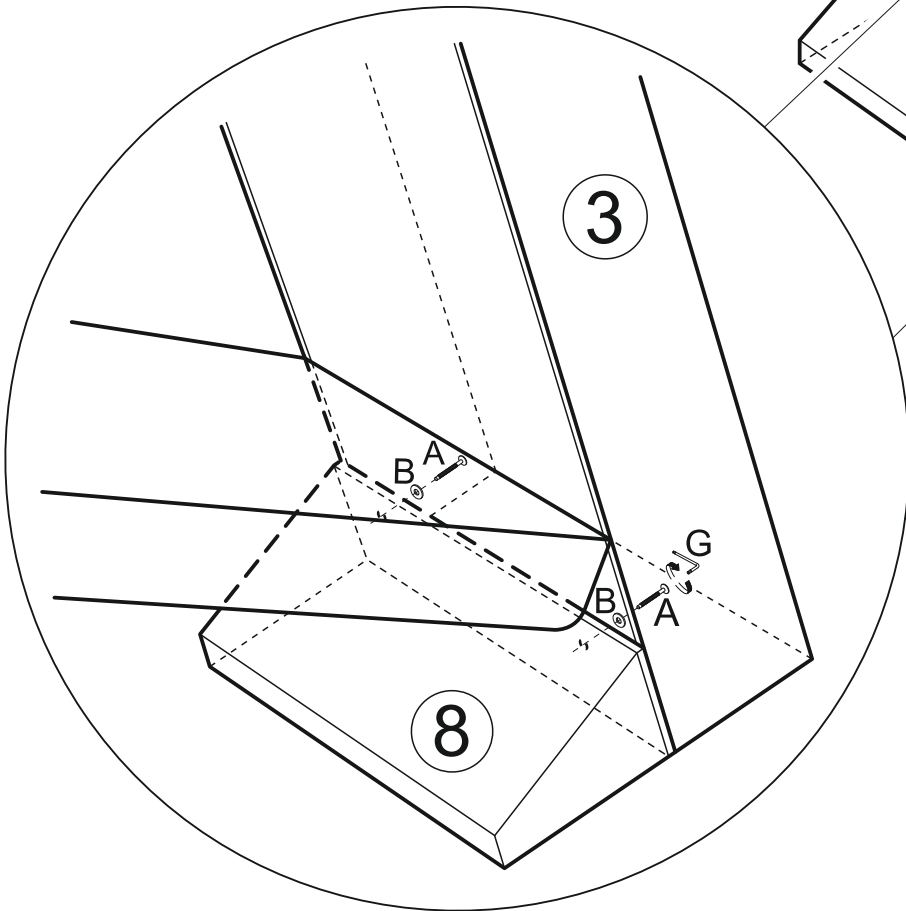
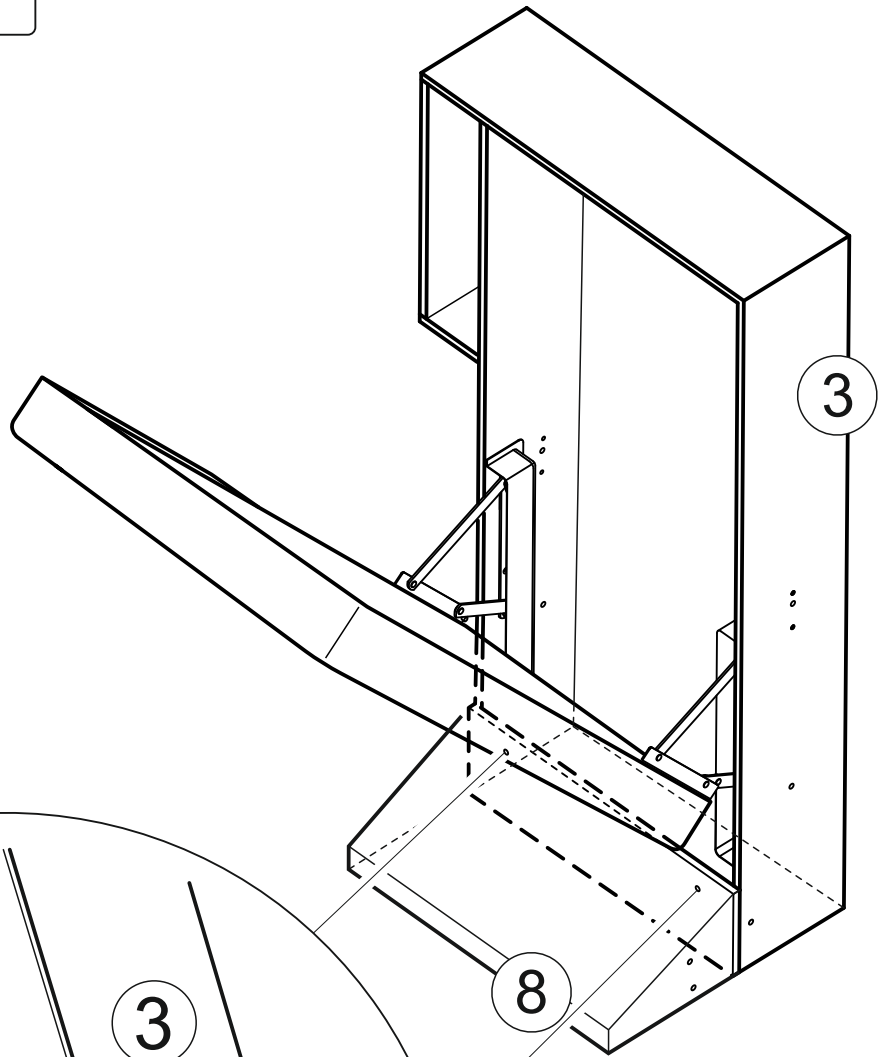
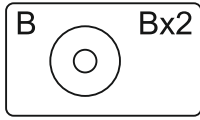
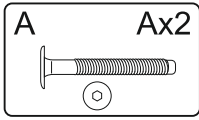


b

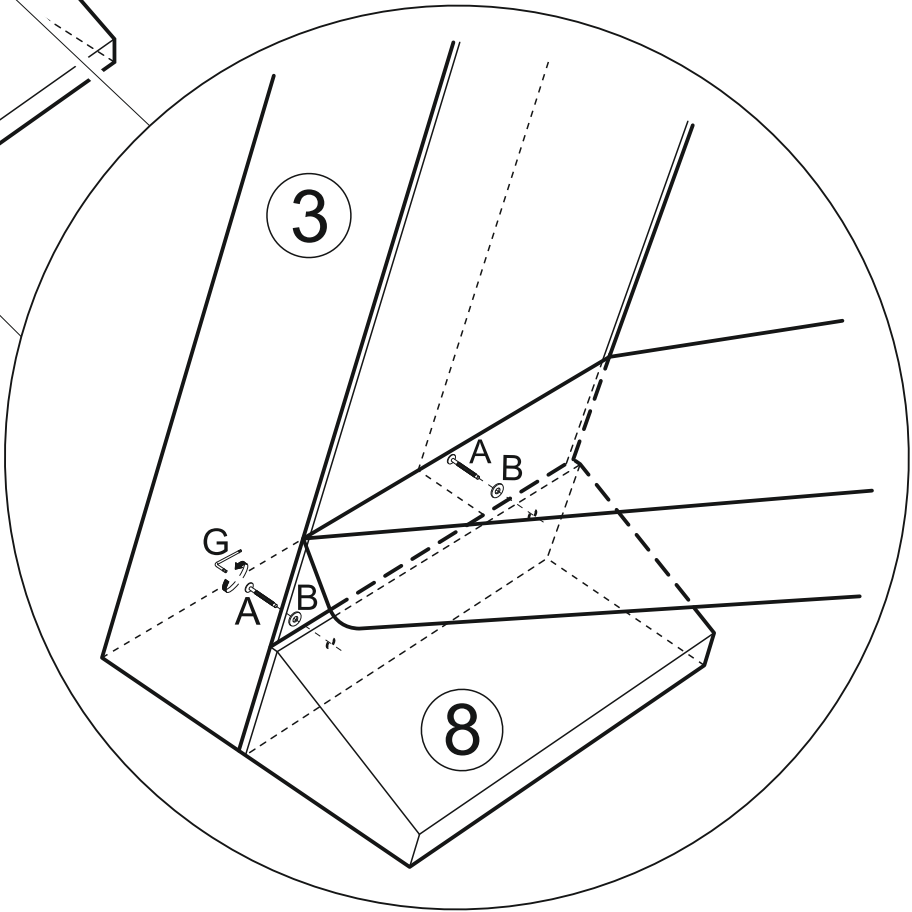
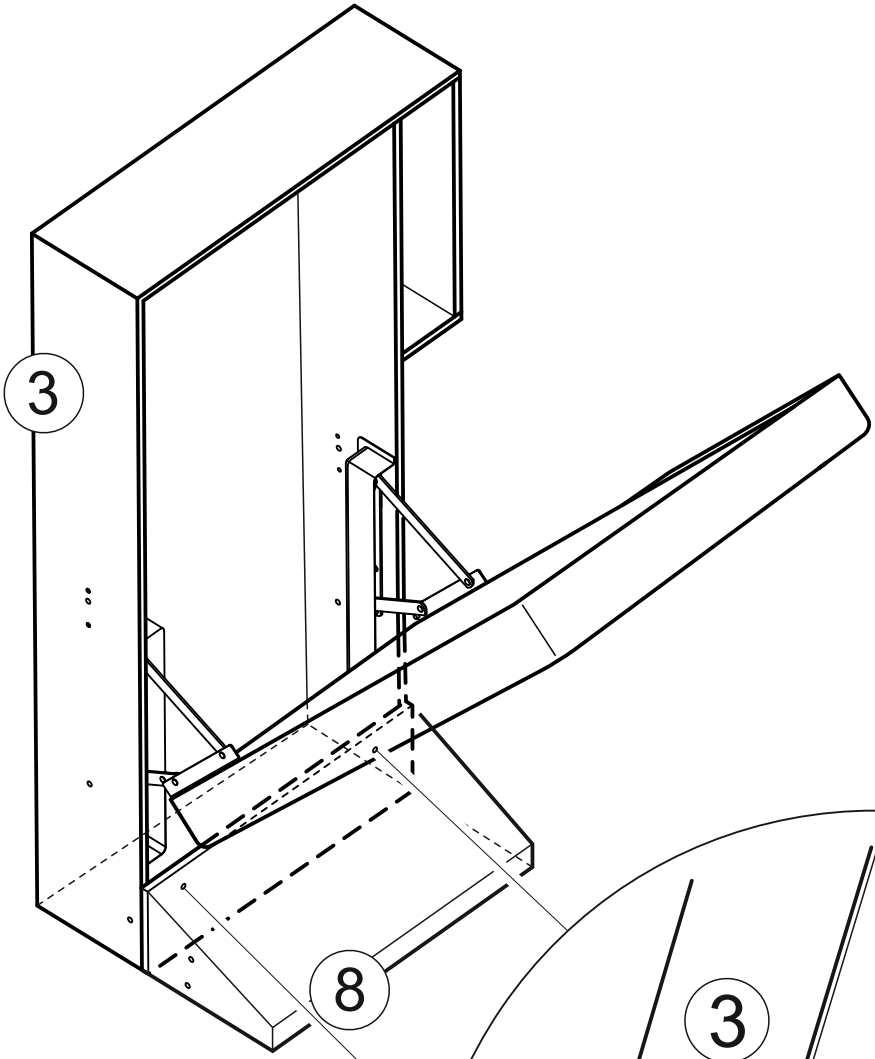
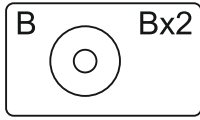
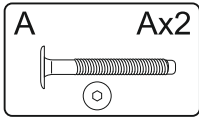


A	 Ax10  M6x40	B	 Bx10 M8x24	C	 C x4	D	 D x 11 Felt Feutre
E	 E x 3	F	 F x 8 M6x20	G	 G x 1 M4	H	 H x 11 5x40
I	 I x 2	J	 J x 16	K	 K x 2	L	 L x 4
M	 Mx4						

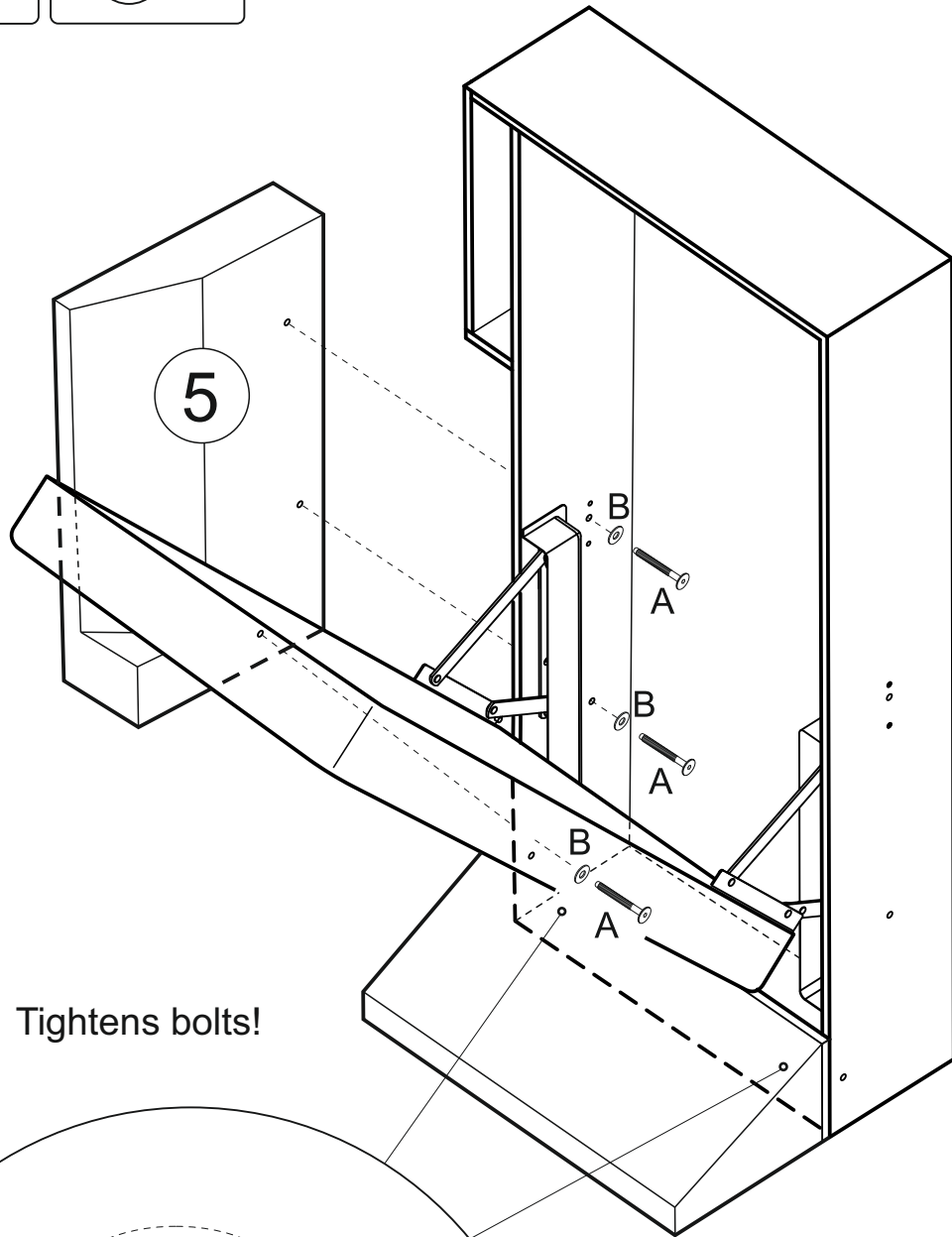
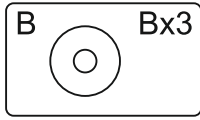
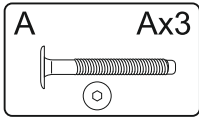
1a



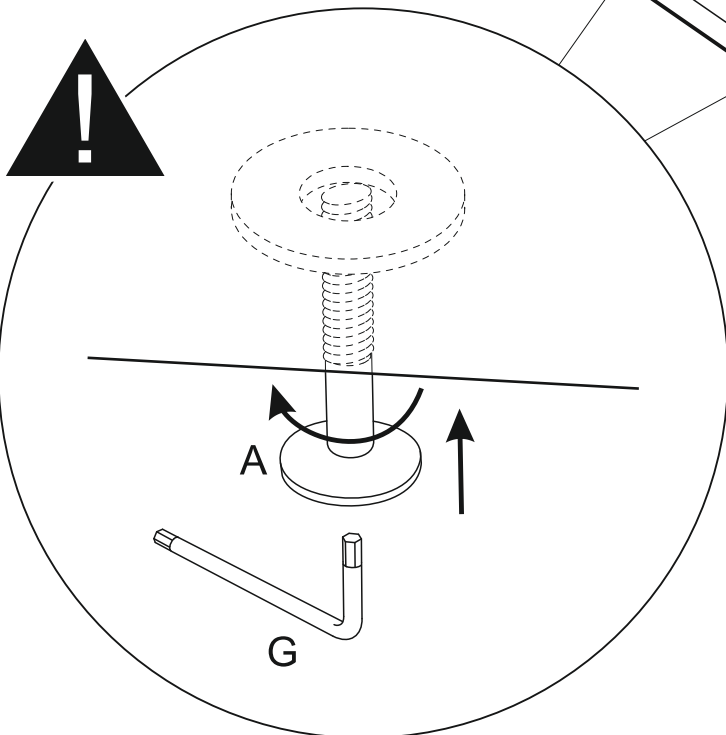
1b



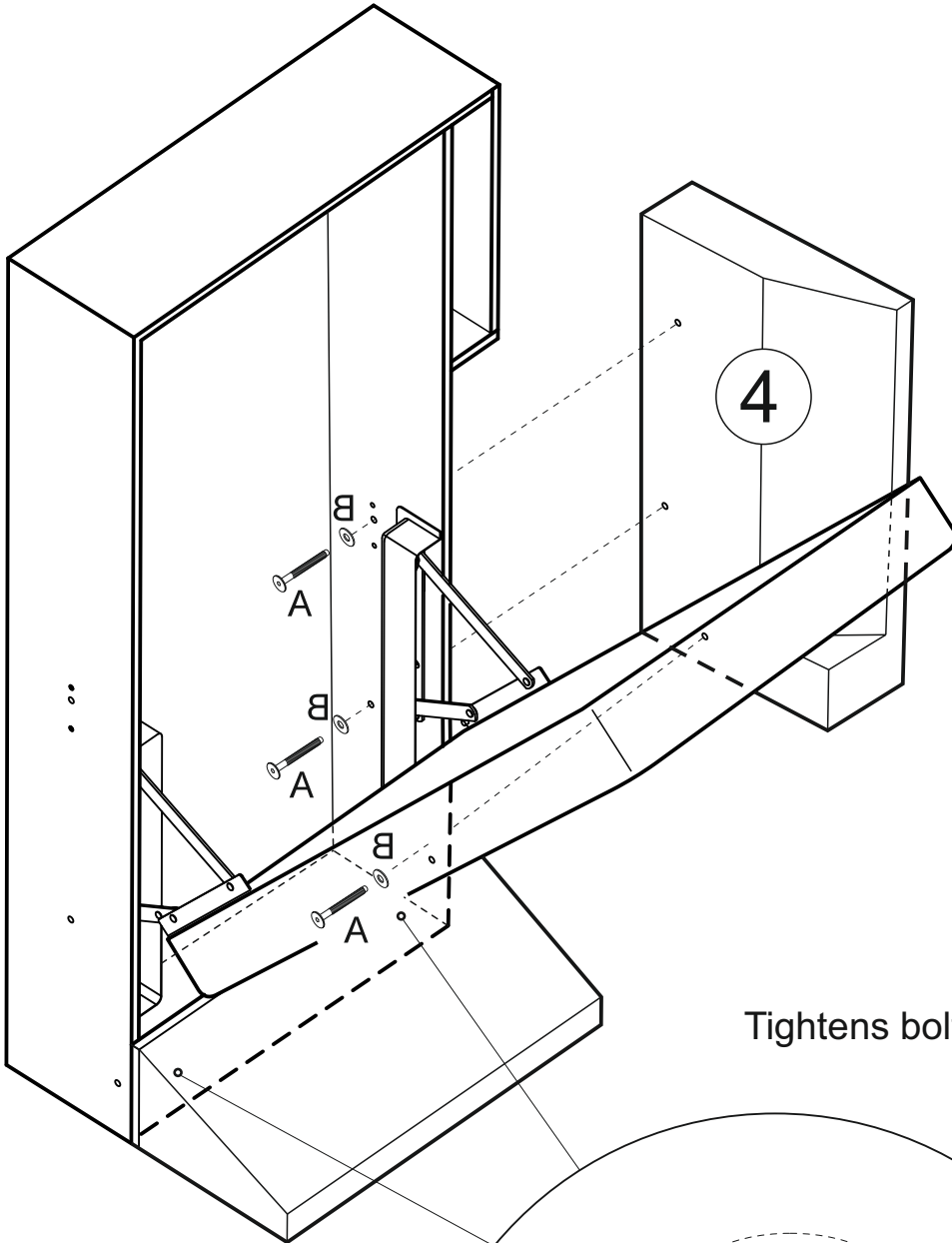
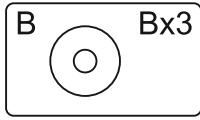
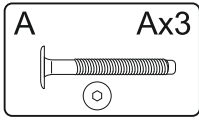
2a



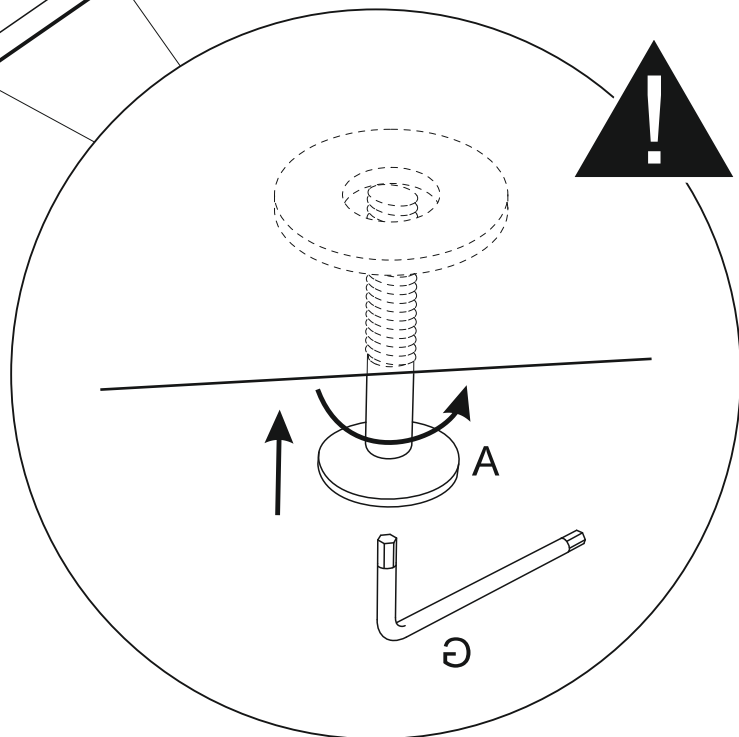
Tightens bolts!



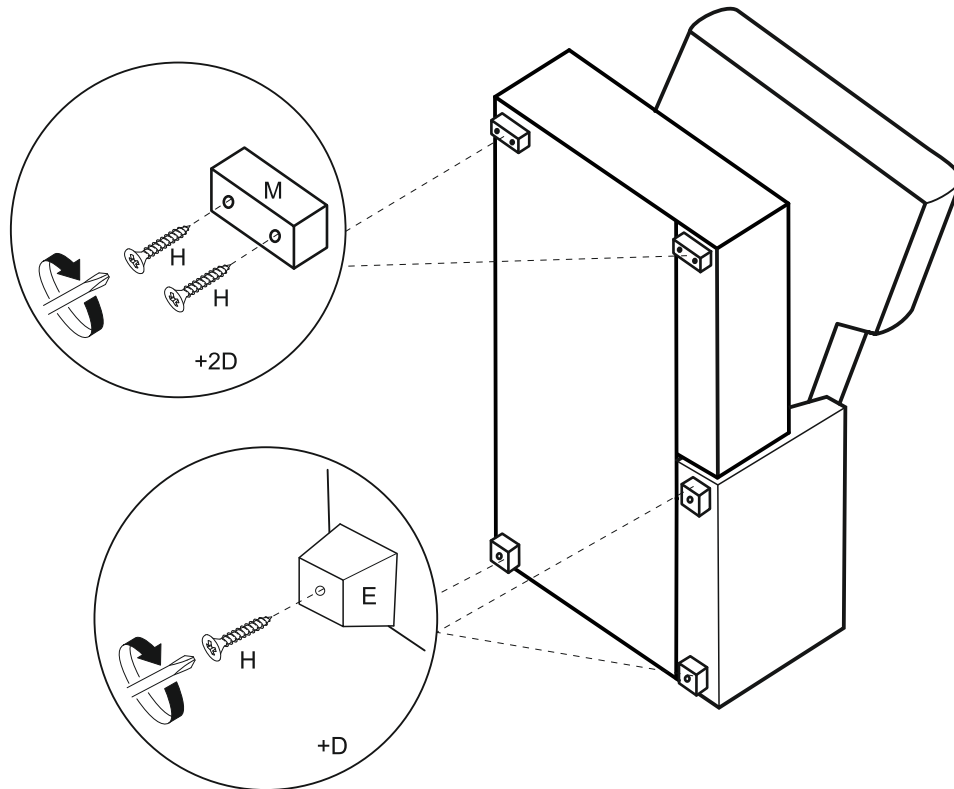
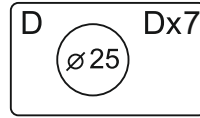
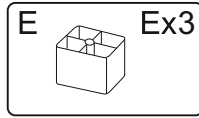
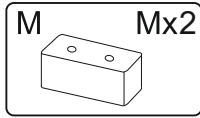
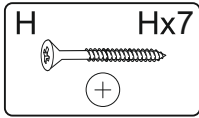
2b



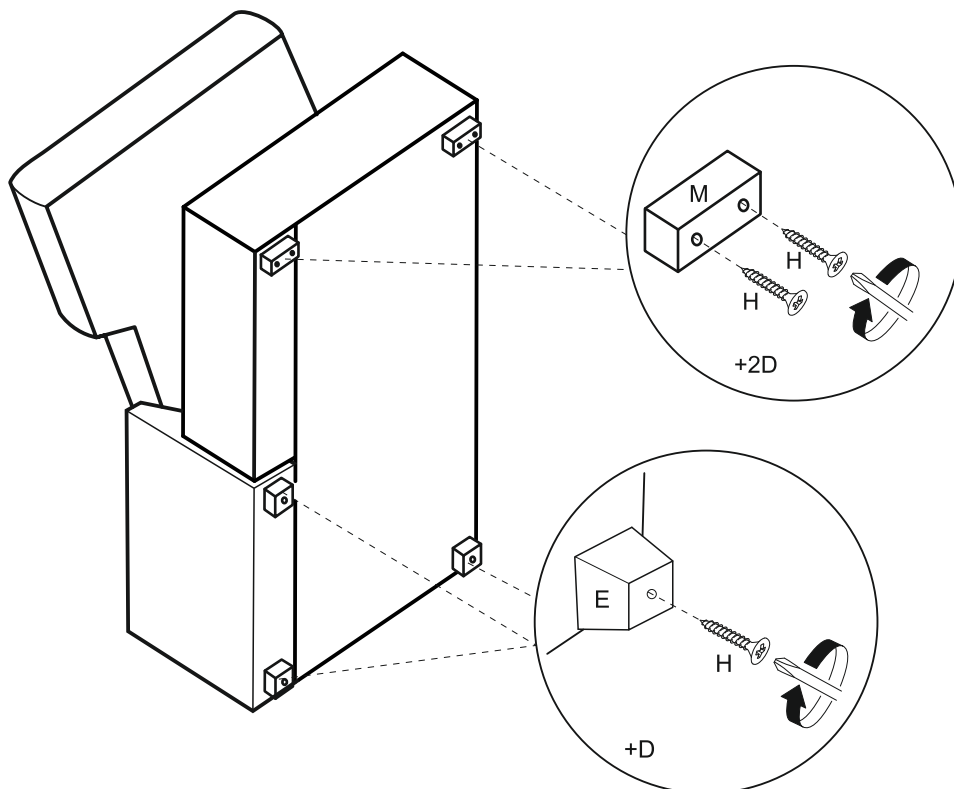
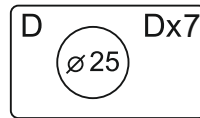
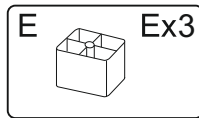
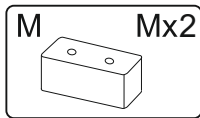
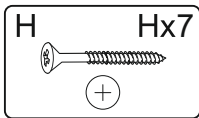
Tightens bolts!



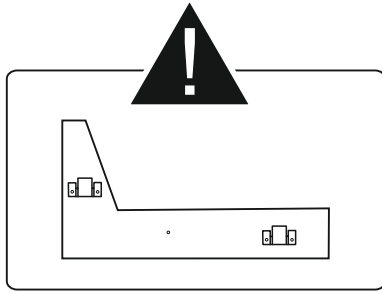
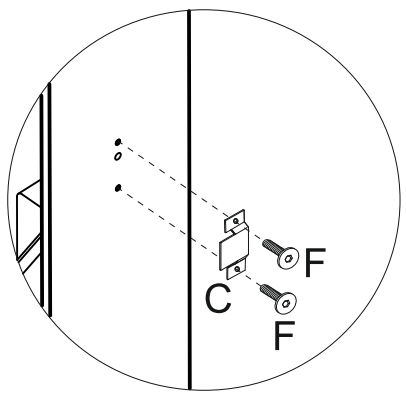
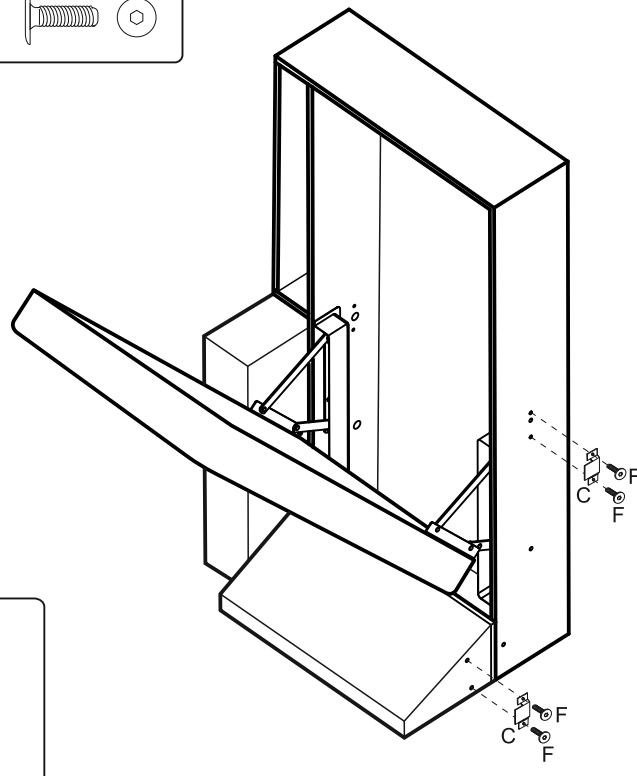
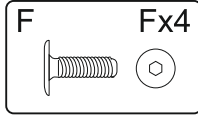
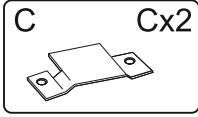
3a



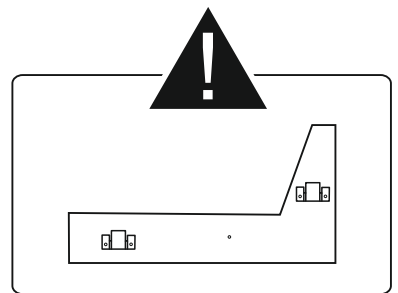
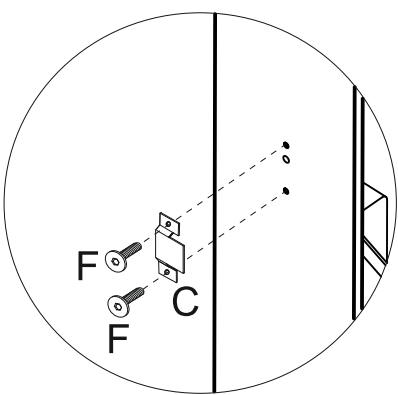
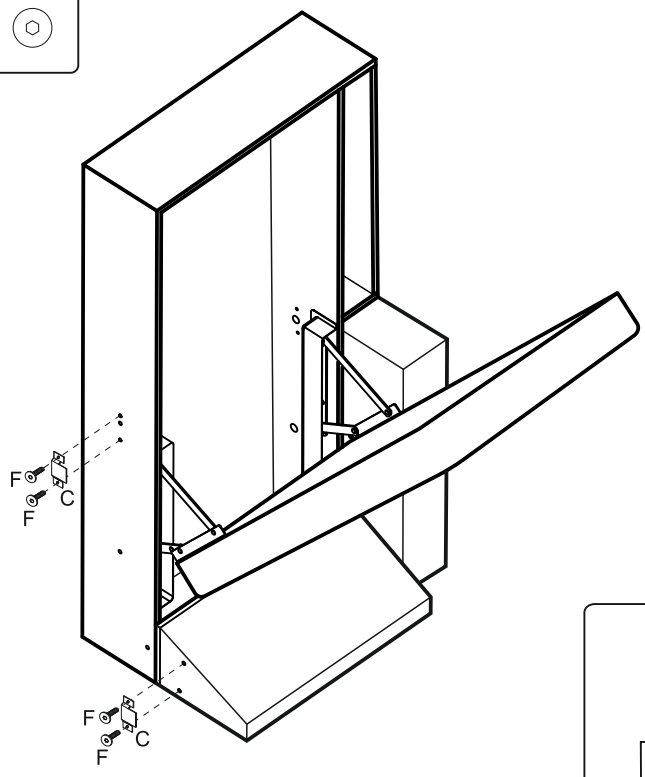
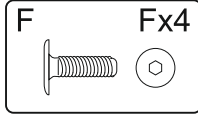
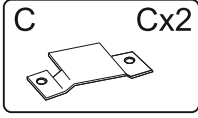
3b



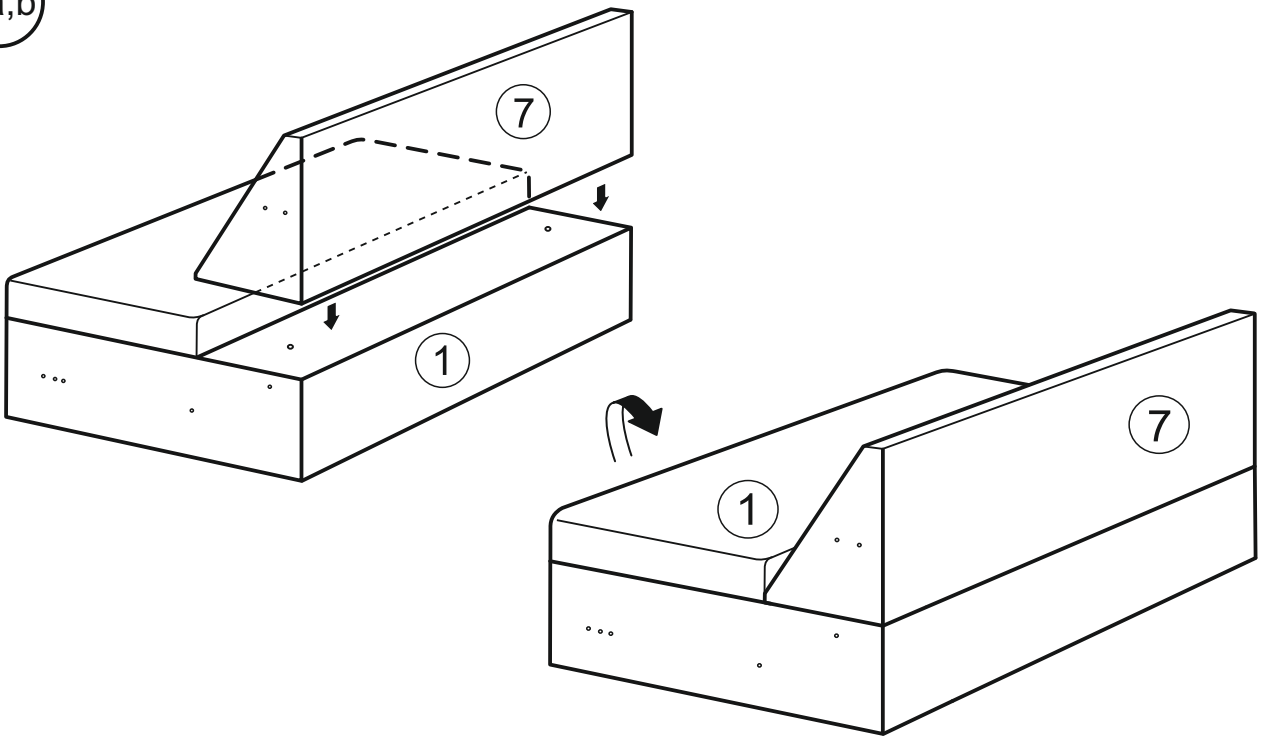
4a



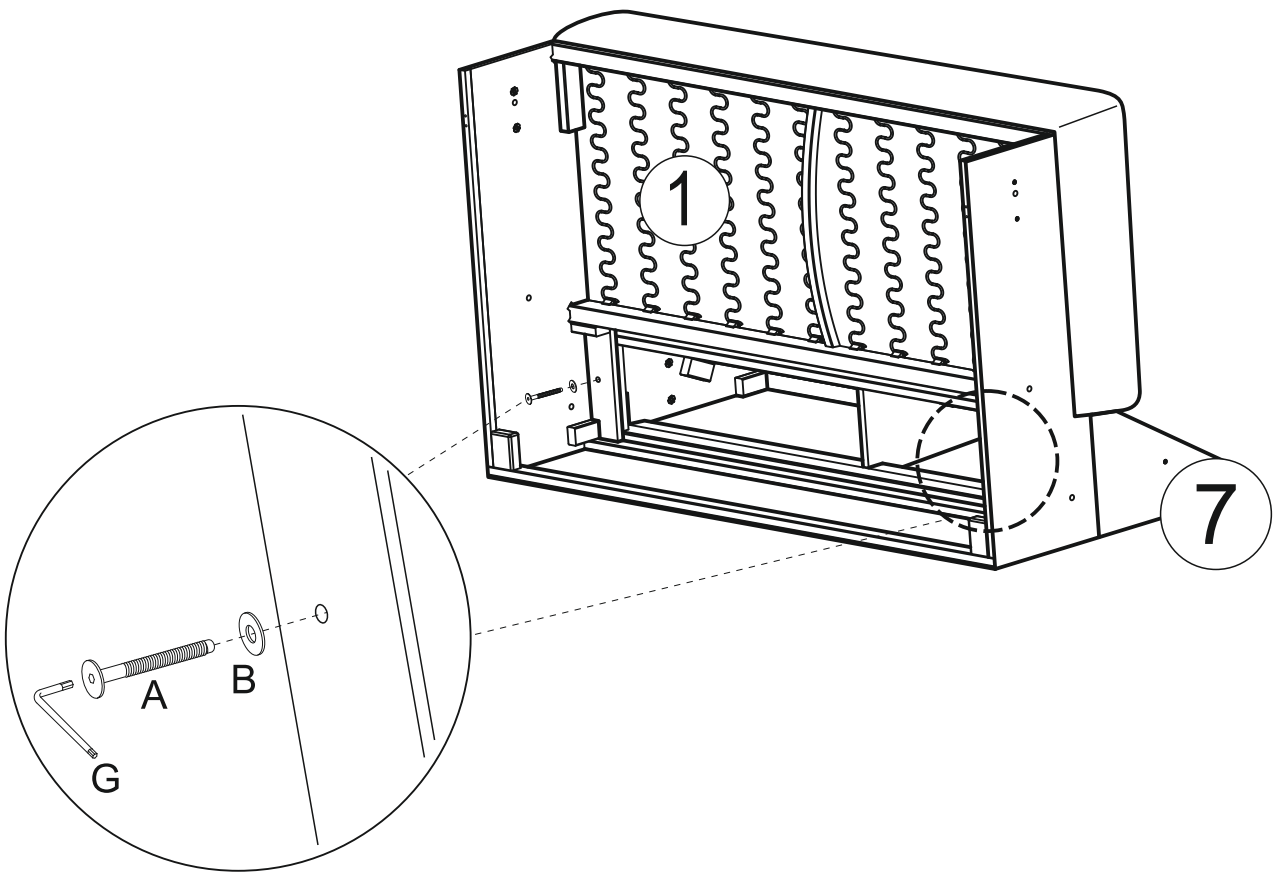
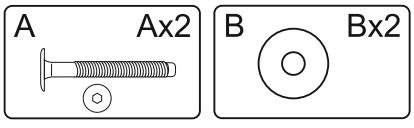
4b



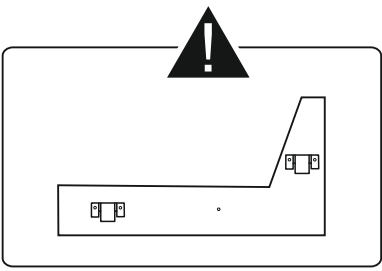
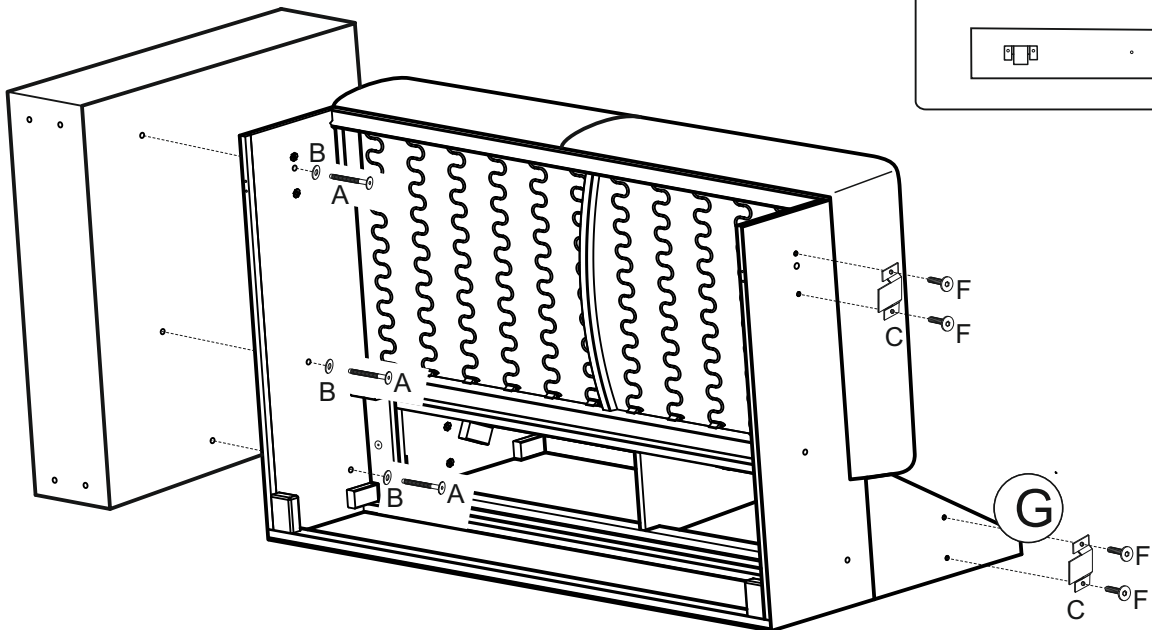
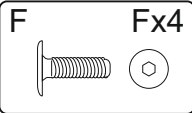
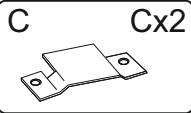
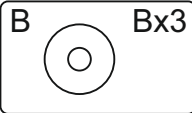
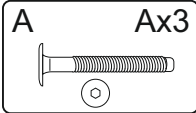
5a,b



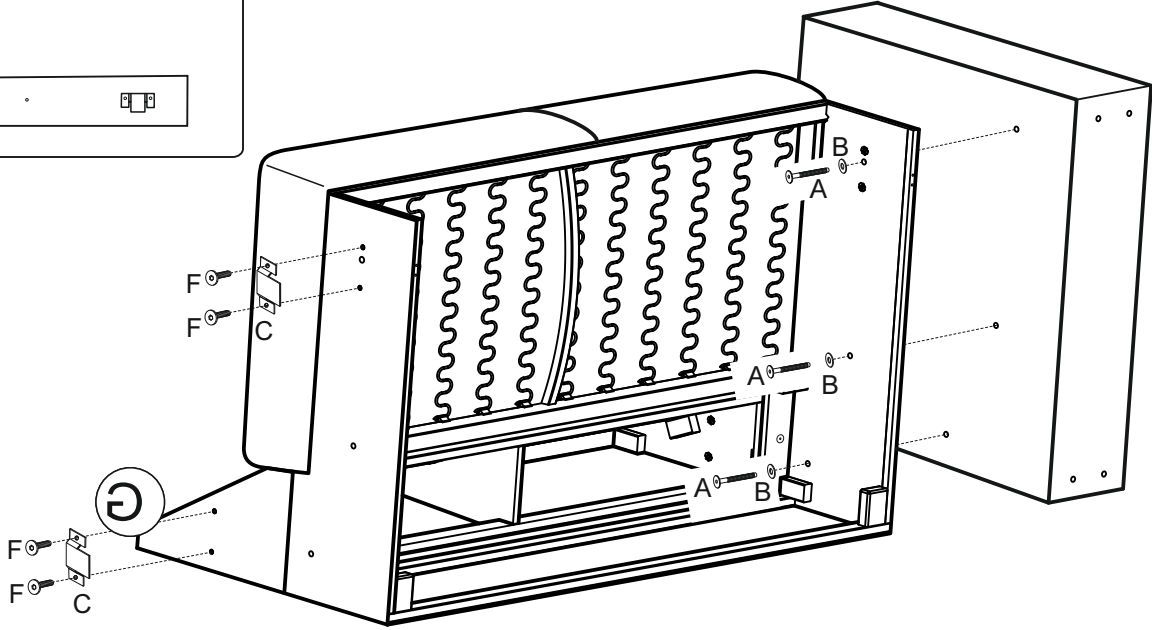
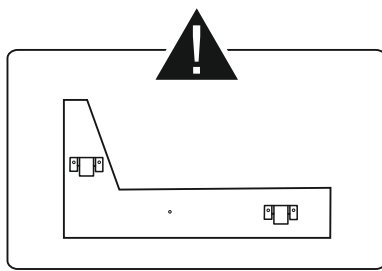
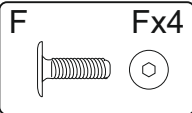
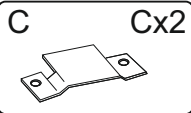
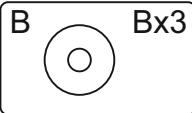
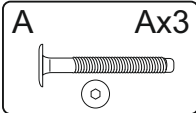
6a,b



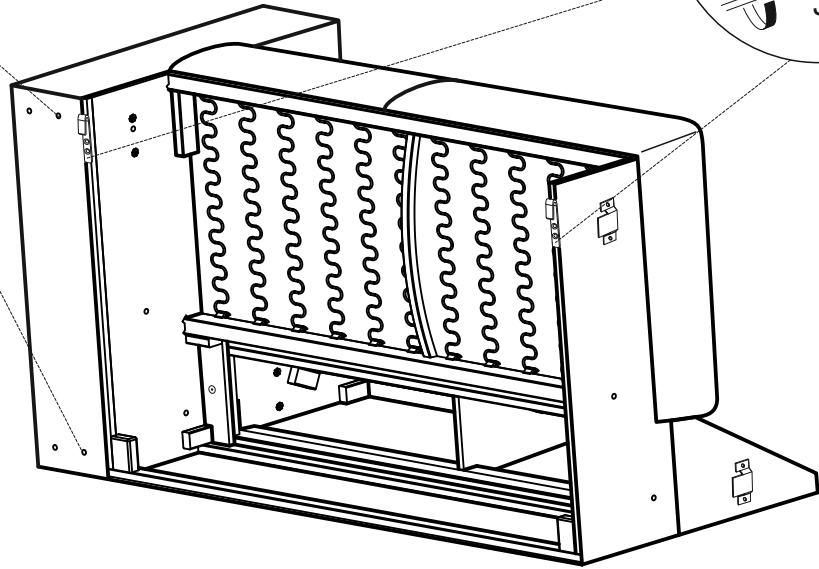
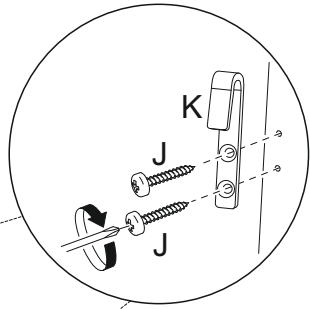
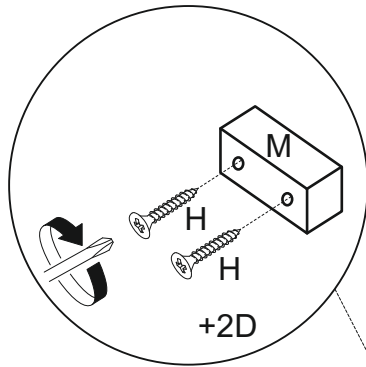
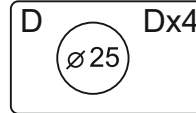
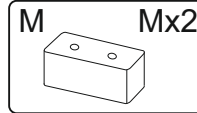
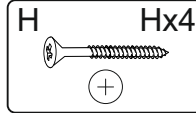
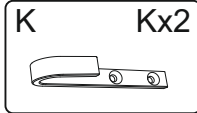
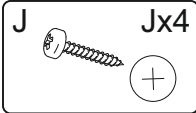
7a



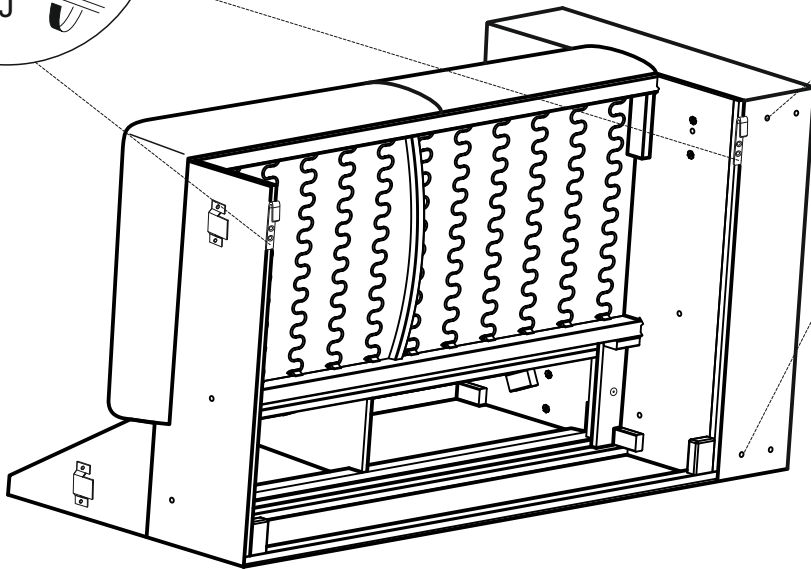
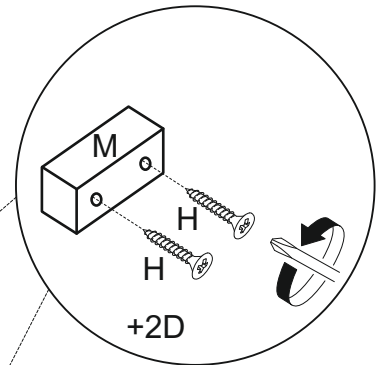
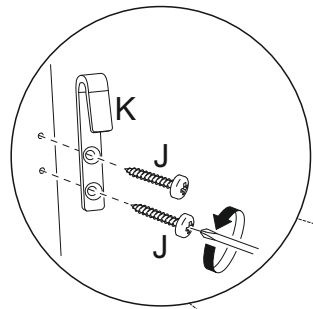
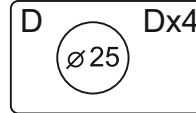
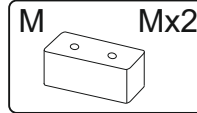
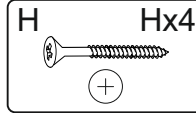
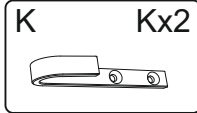
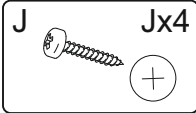
7b



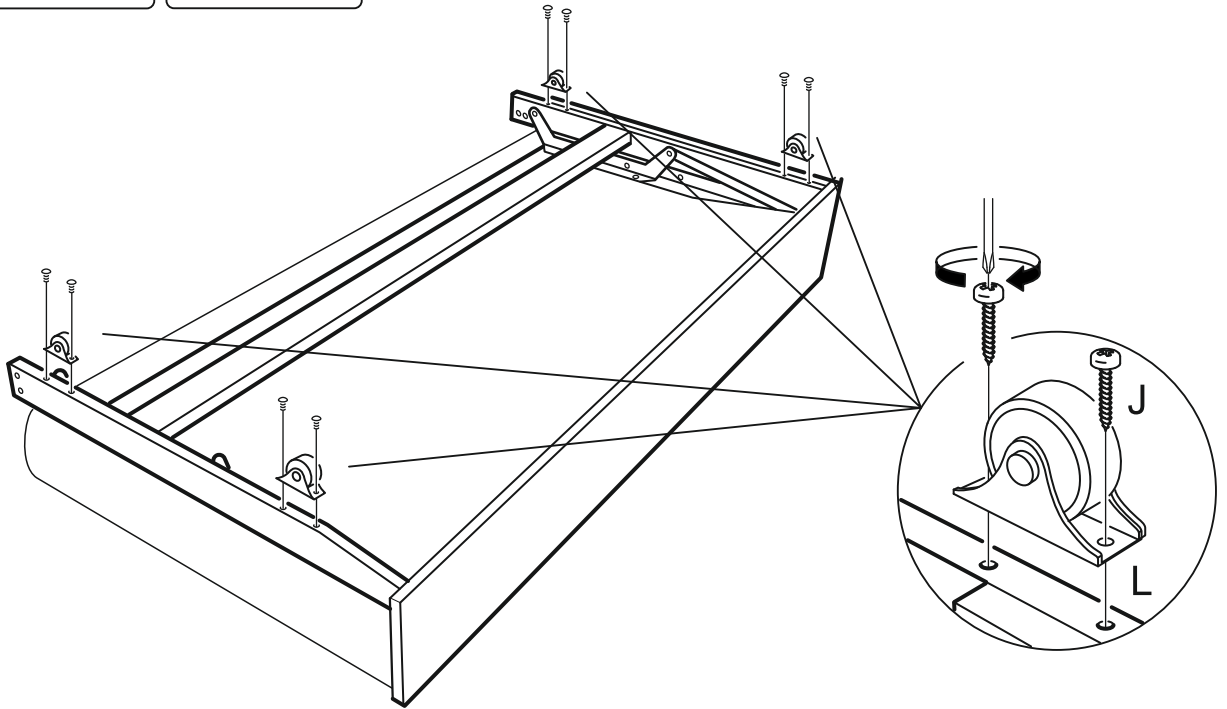
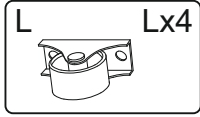
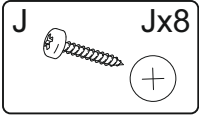
8a



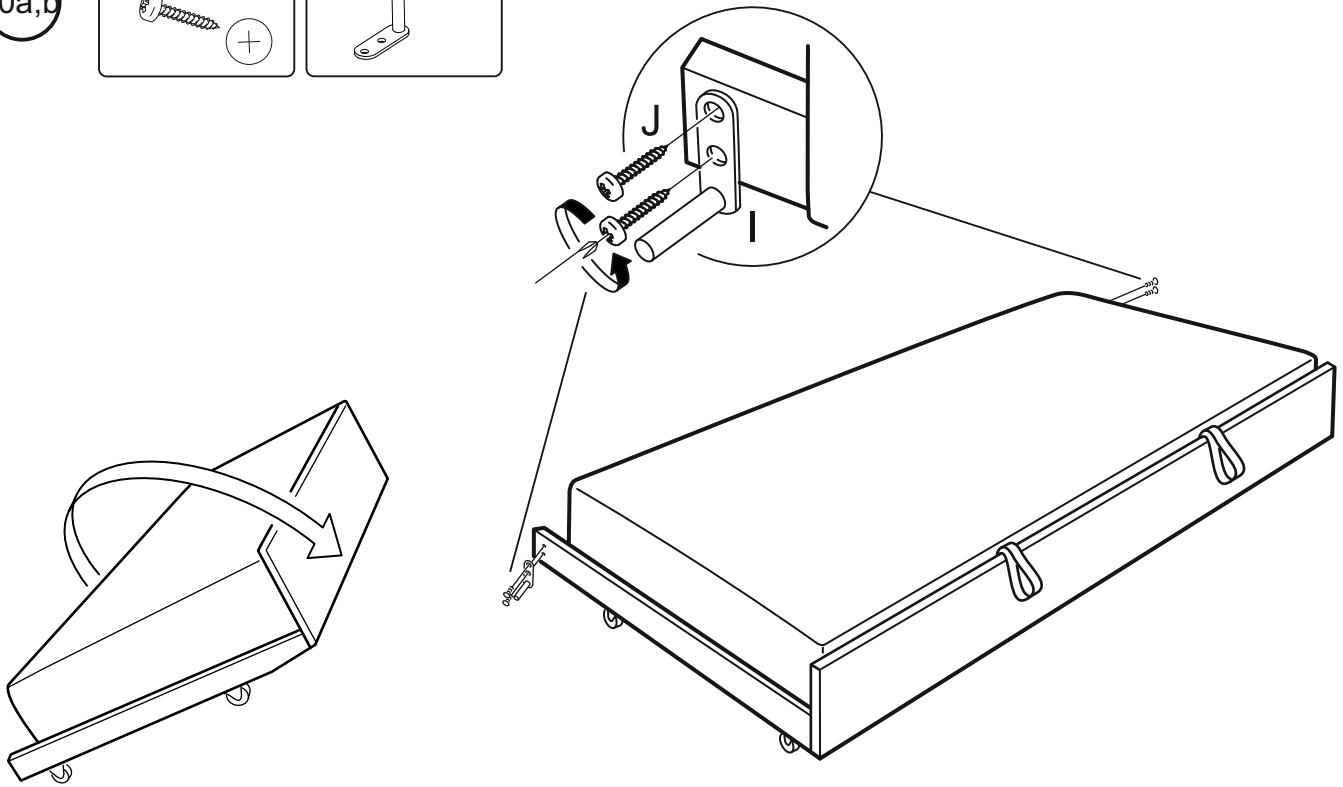
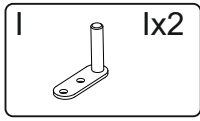
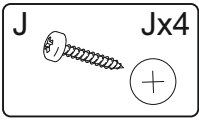
8b



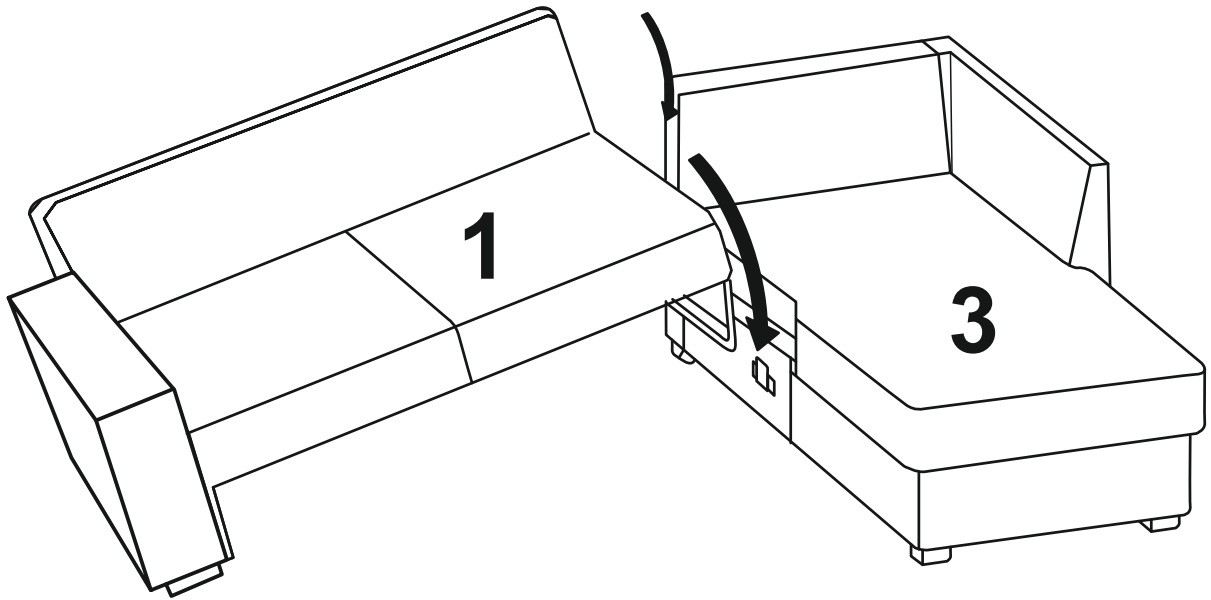
9a,b



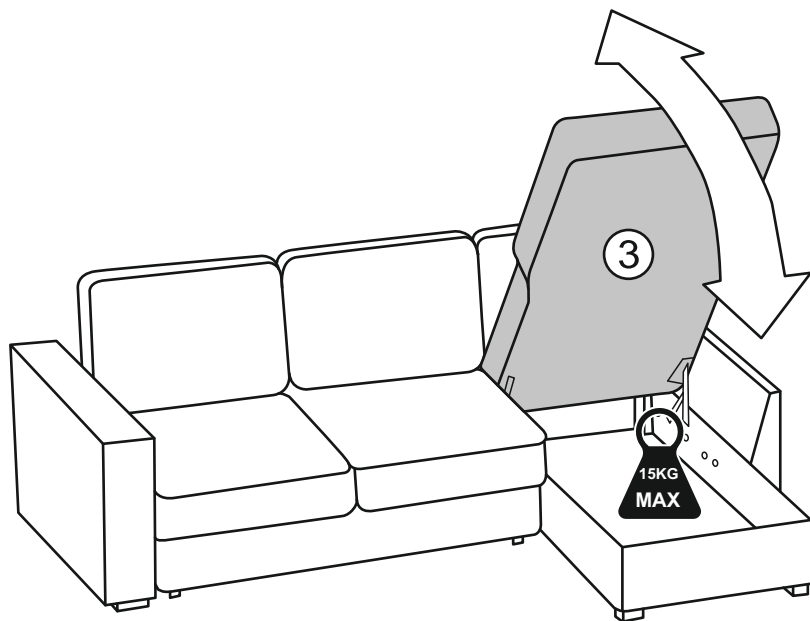
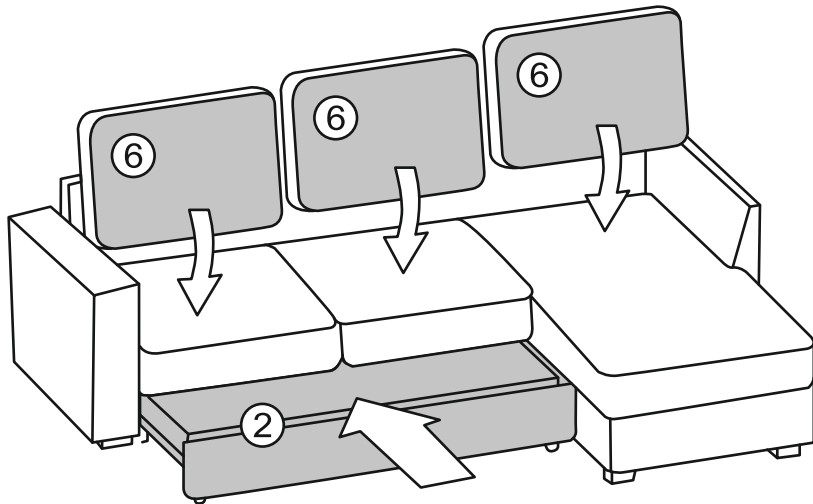
10a,b



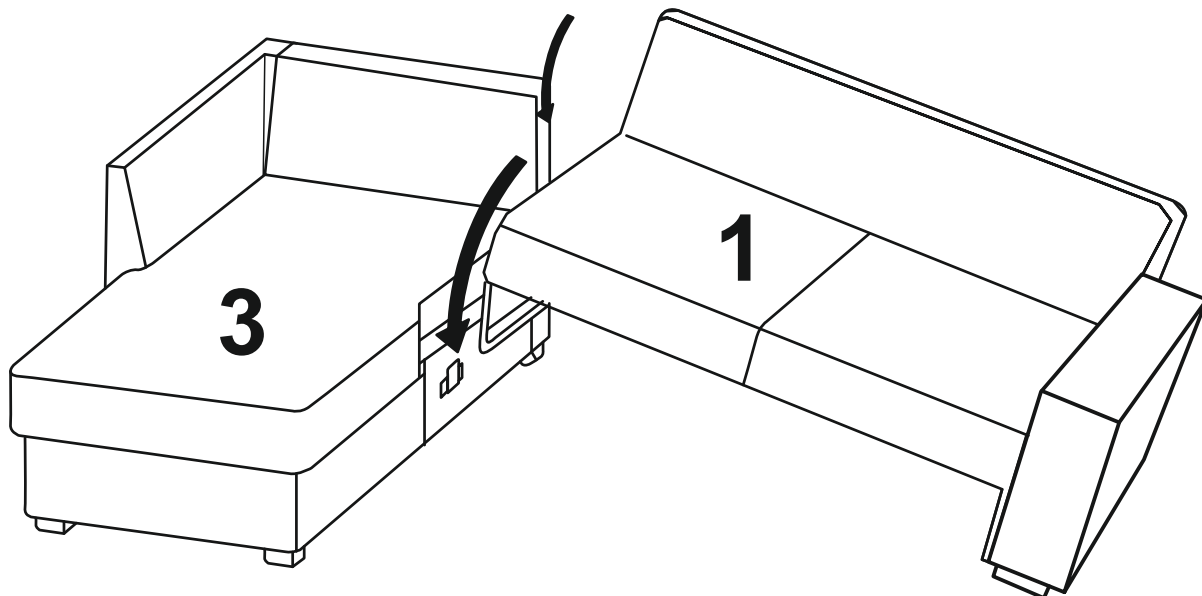
11a



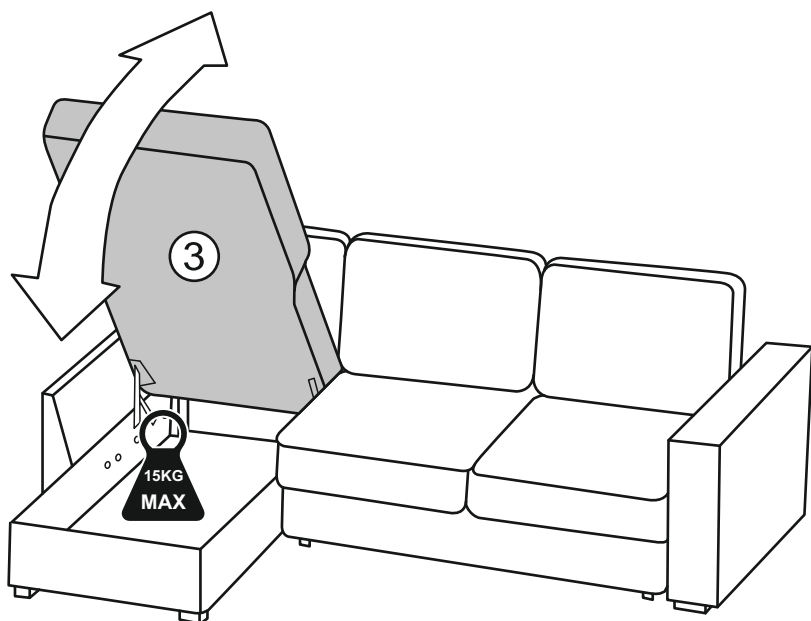
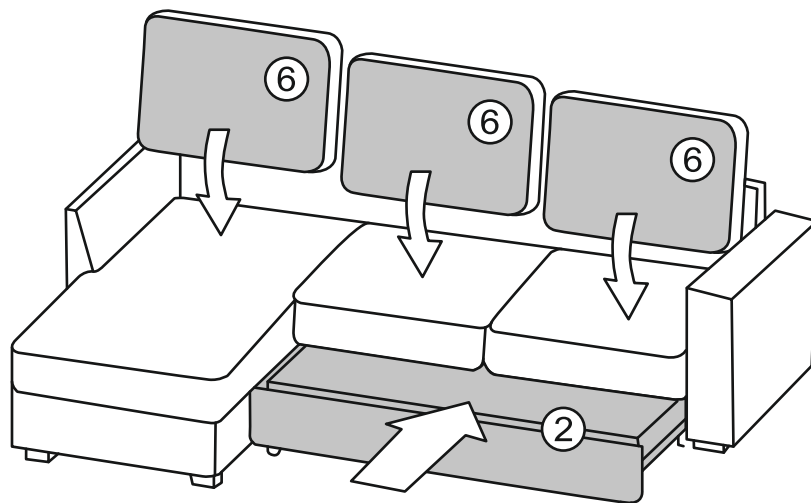
12a



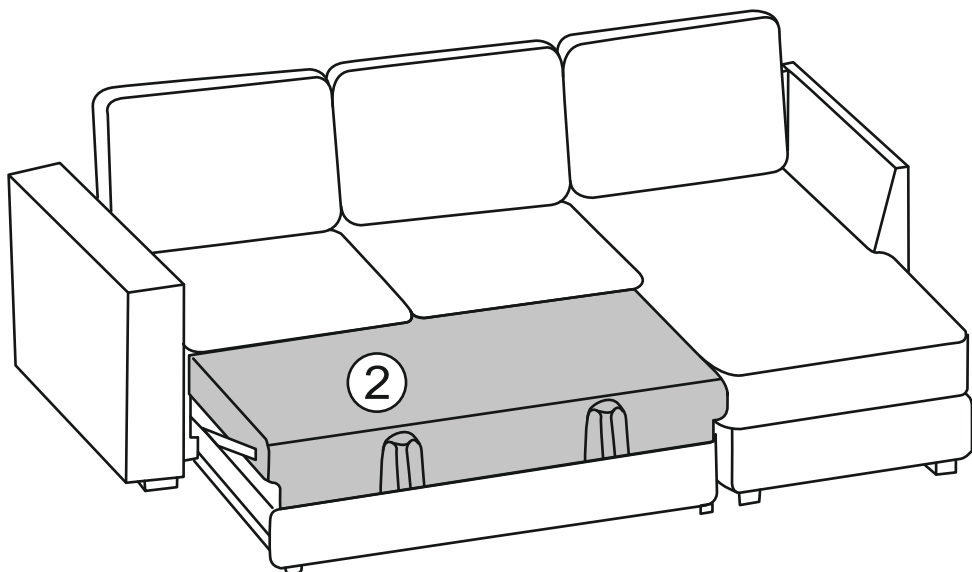
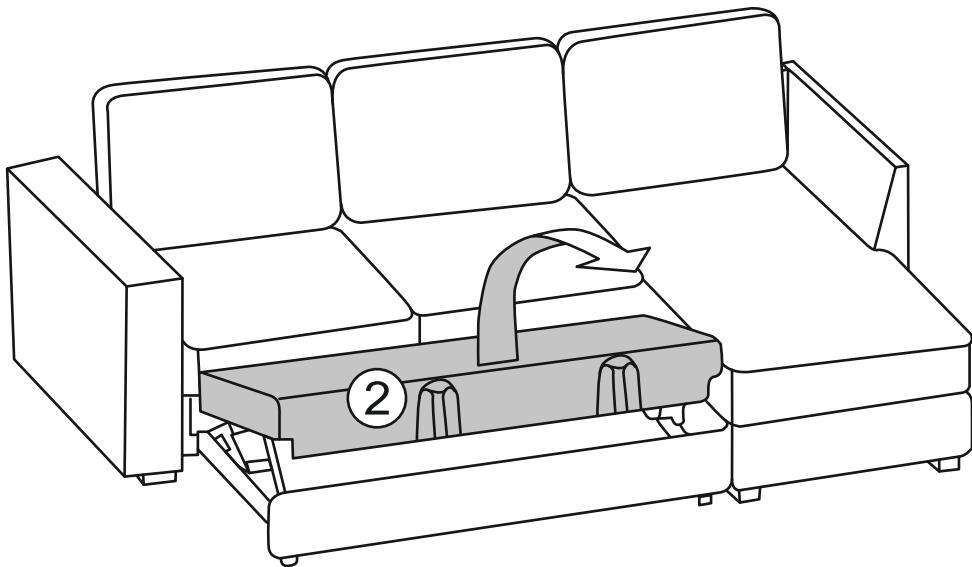
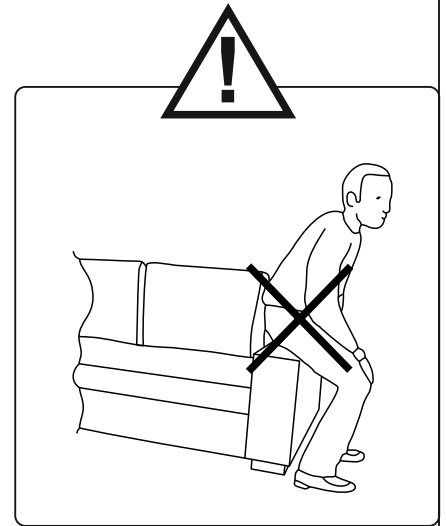
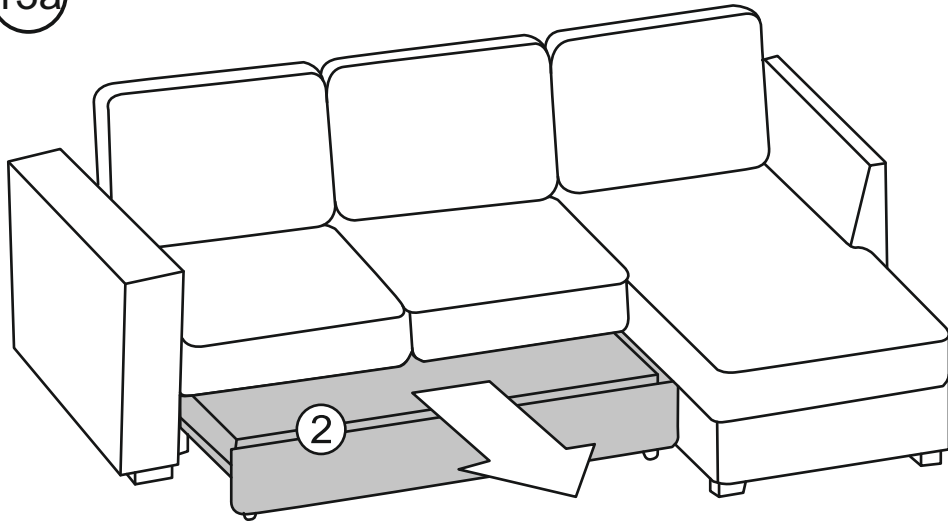
11b



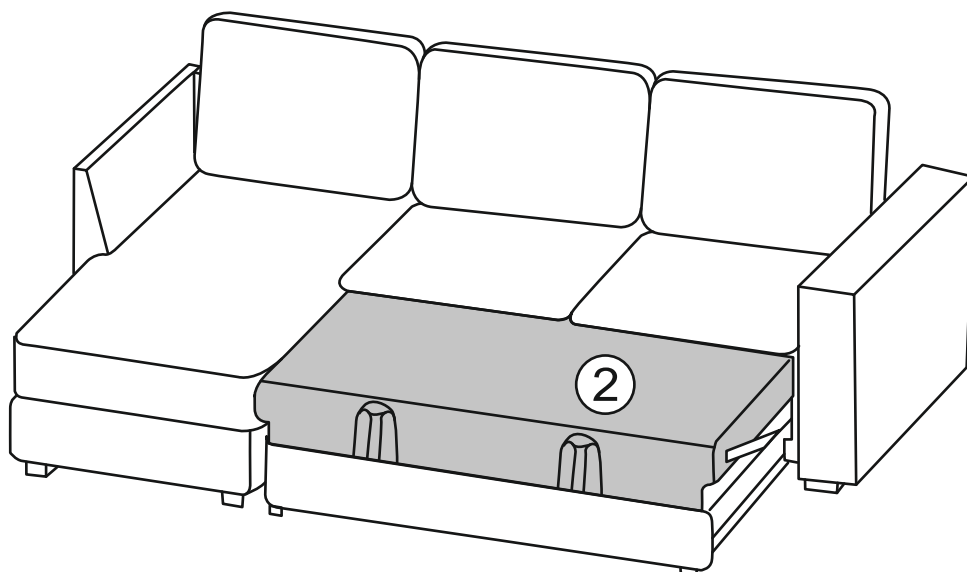
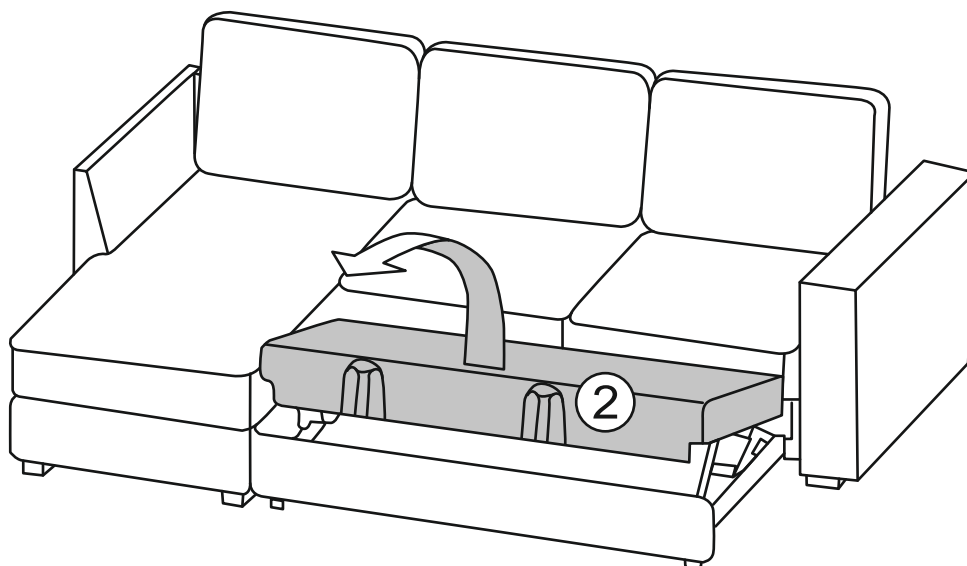
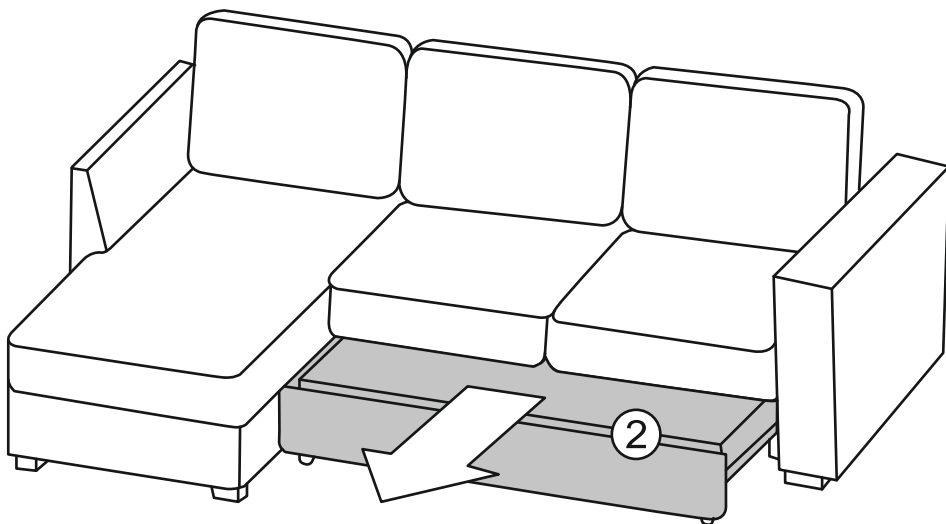
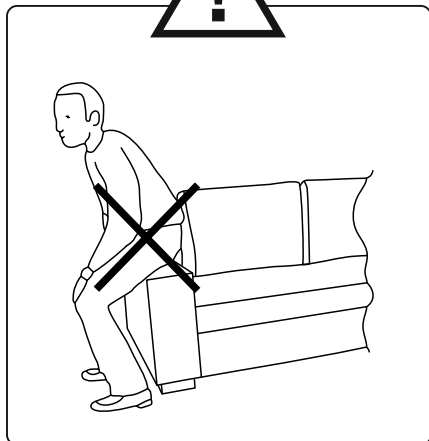
12b



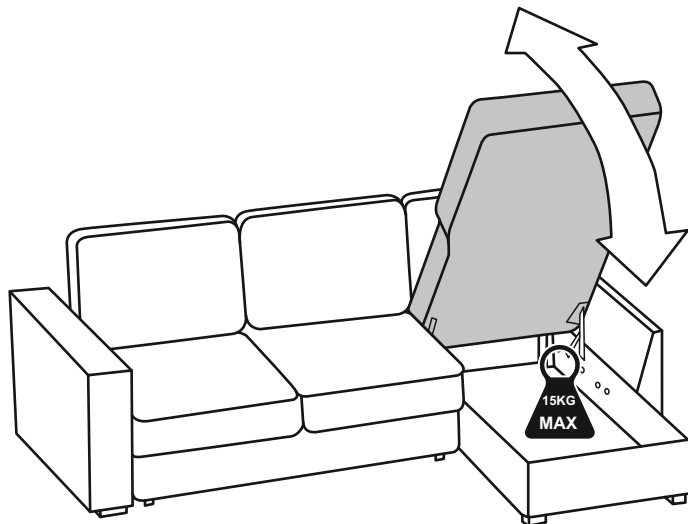
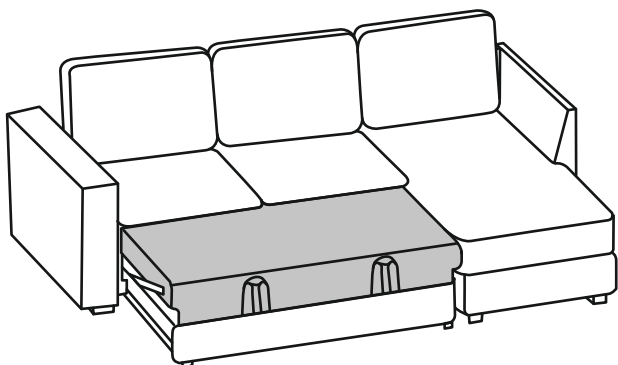
13a



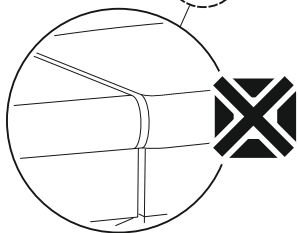
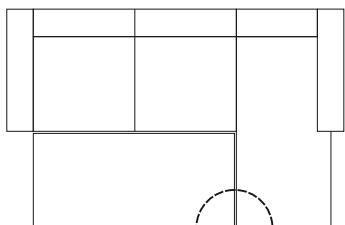
13b



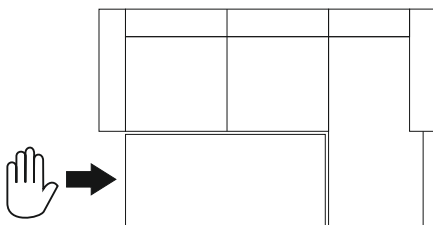
14a



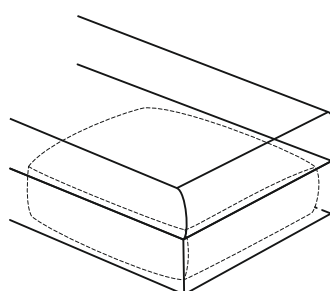
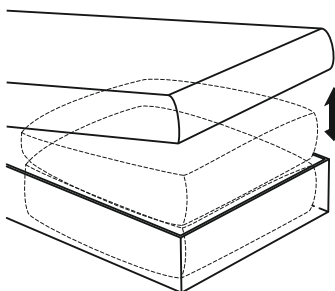
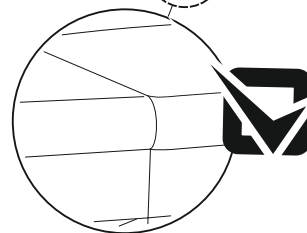
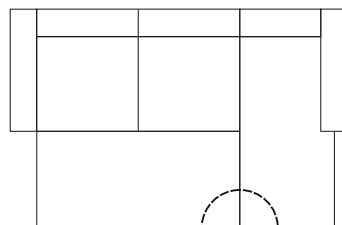
I



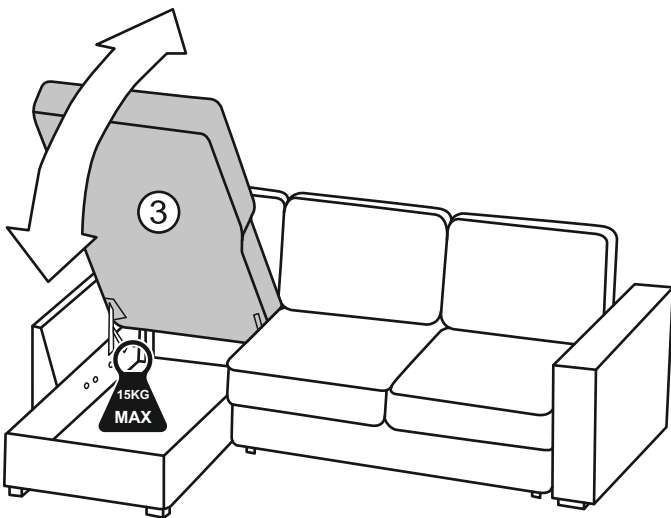
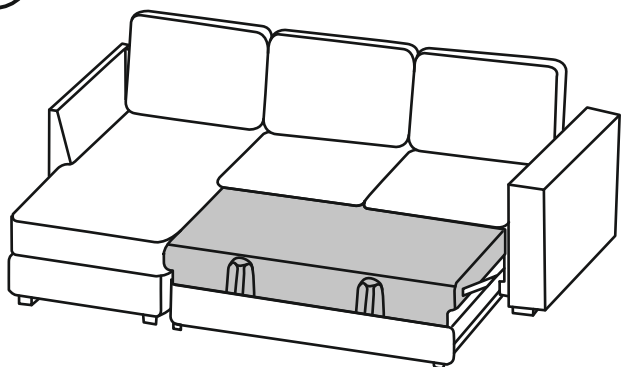
II



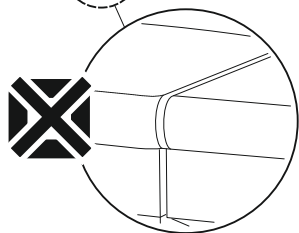
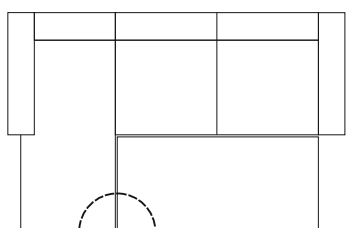
III



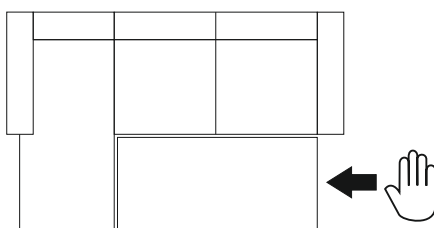
14b



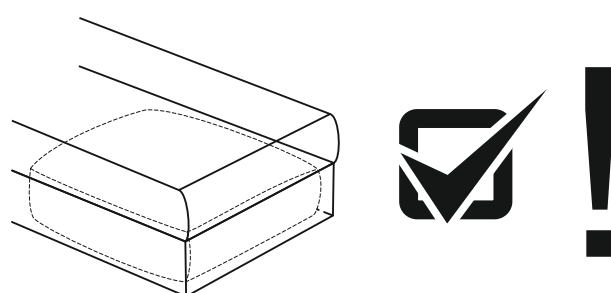
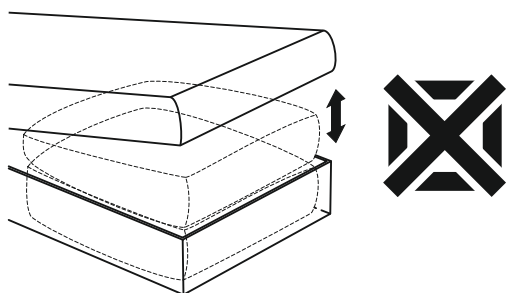
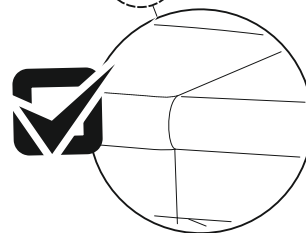
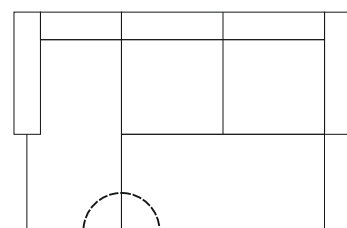
I



II



III



ATTENTION!

