



Paulmann

### Safety Instructions

0,1,2,4,6,11,15,18,22



Info

[www.paulmann.com](http://www.paulmann.com)

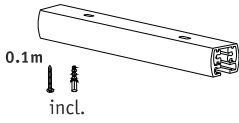
Paulmann Licht GmbH  
Quezinger Feld 2  
31832 Springe  
Germany

[www.paulmann.com](http://www.paulmann.com)

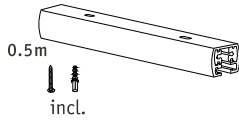
Art.-Nr.:  
950.86/954.98  
968.54/976.82  
968.33/976.83  
968.34/976.84  
(+MA173)PH09/20



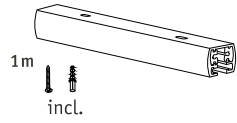
950.86/954.98



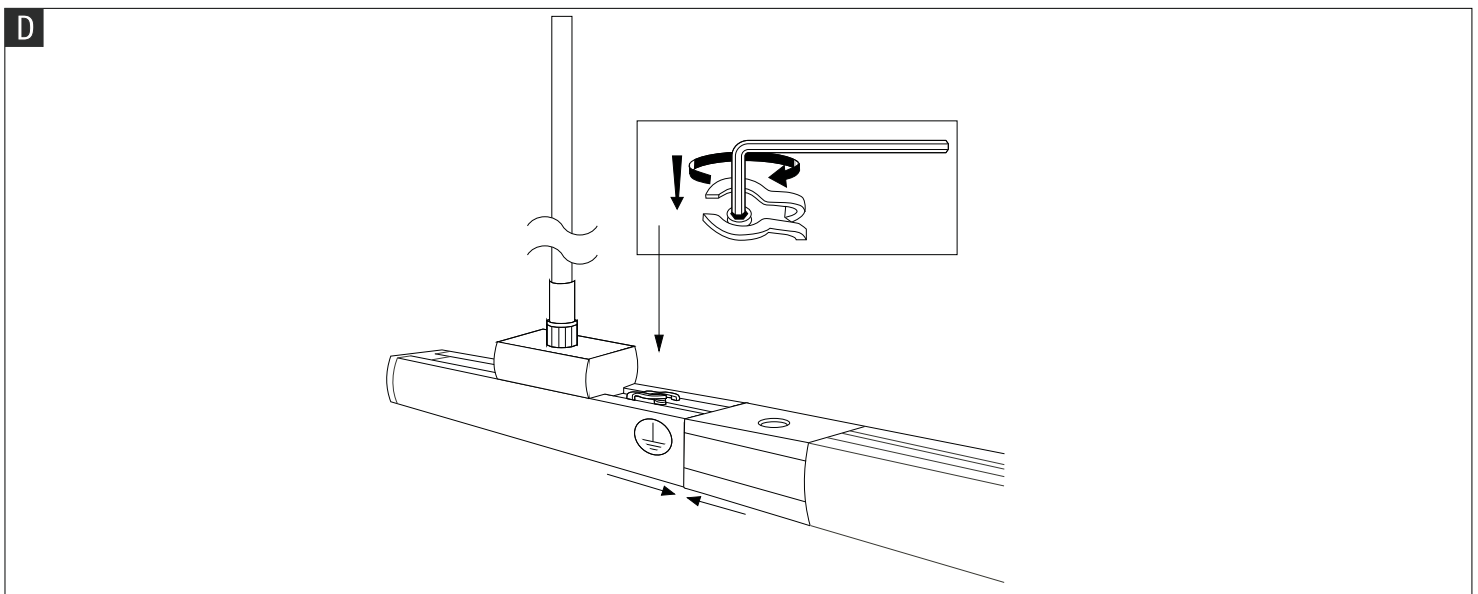
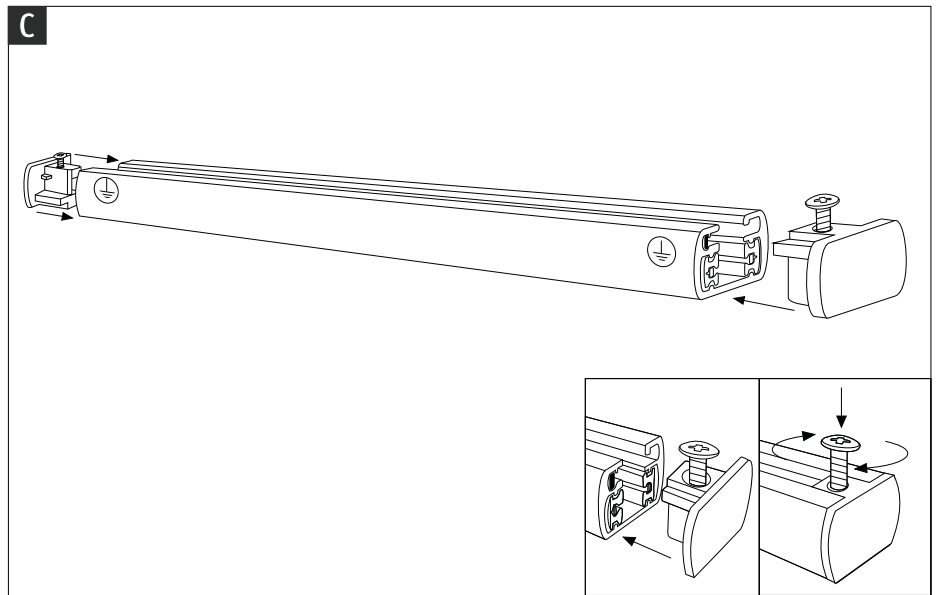
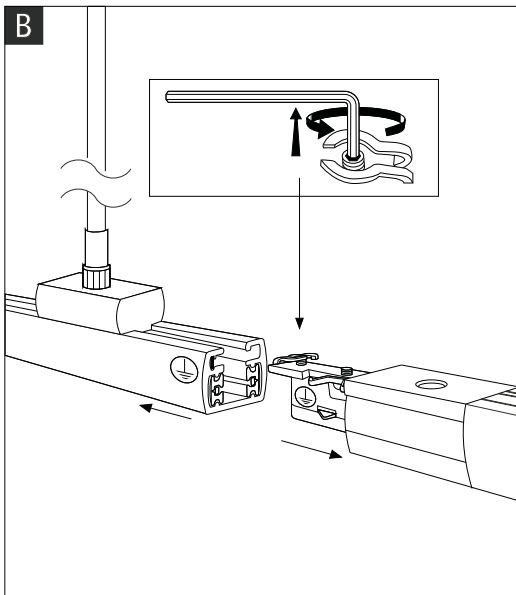
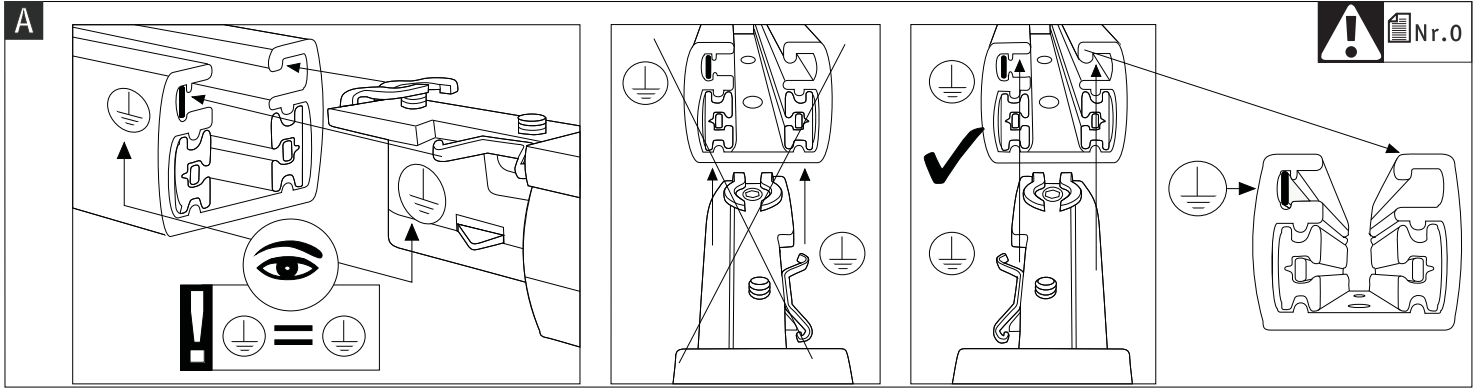
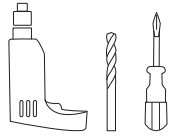
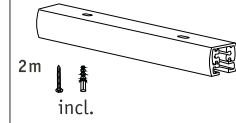
968.54/976.82



968.33/976.83



968.34/976.84





Paulmann

**Safety Instructions**

0,1,2,4,6,11,15,18,22



**Info**

[www.paulmann.com](http://www.paulmann.com)

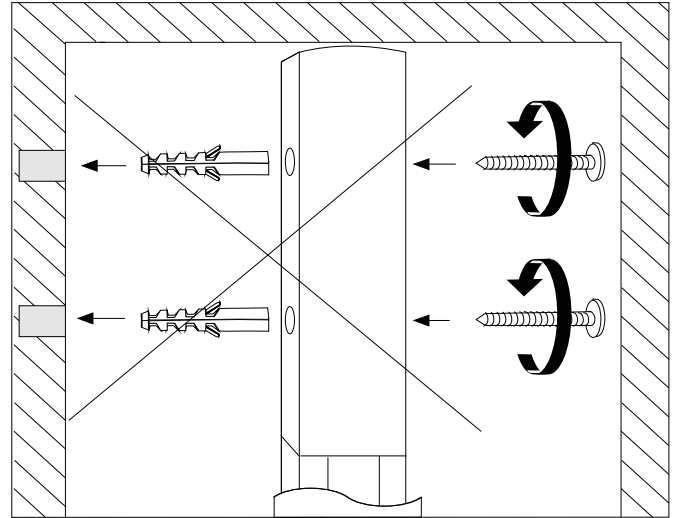
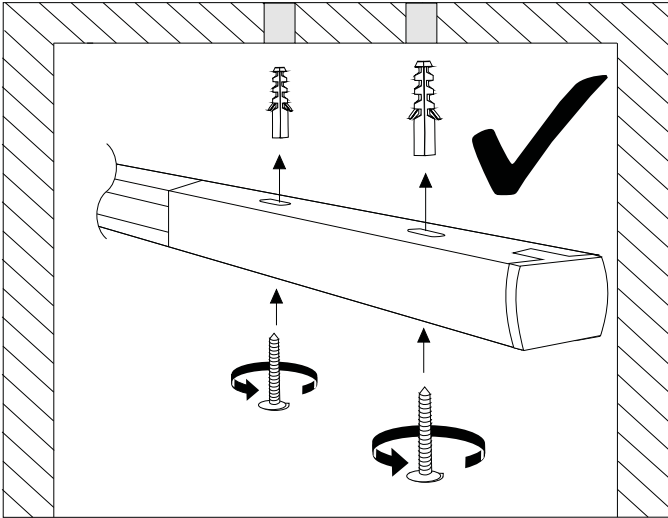
Paulmann Licht GmbH  
Quezinger Feld 2  
31832 Springe  
Germany

[www.paulmann.com](http://www.paulmann.com)

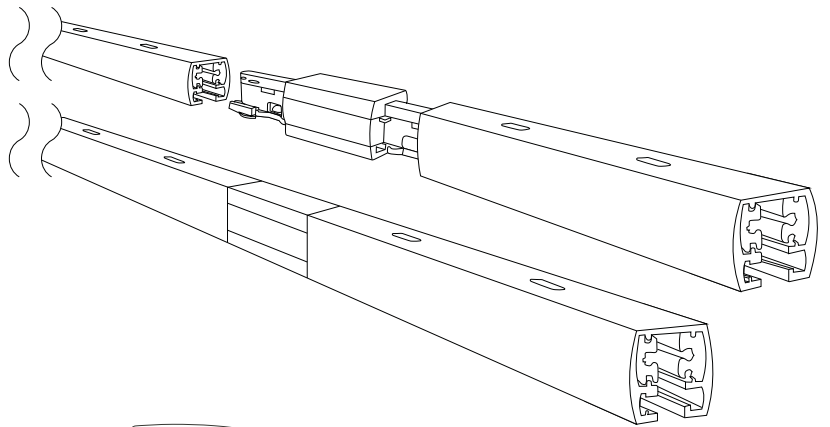
**E**



Nr.2



**F**



$\leq 1000W$

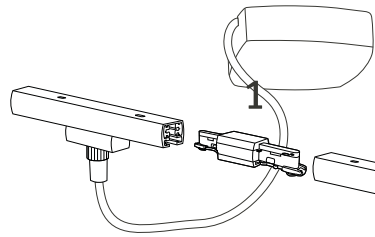
$\leq 10$

1

1

2

$\leq 10$



1

2

3

$\leq 10$