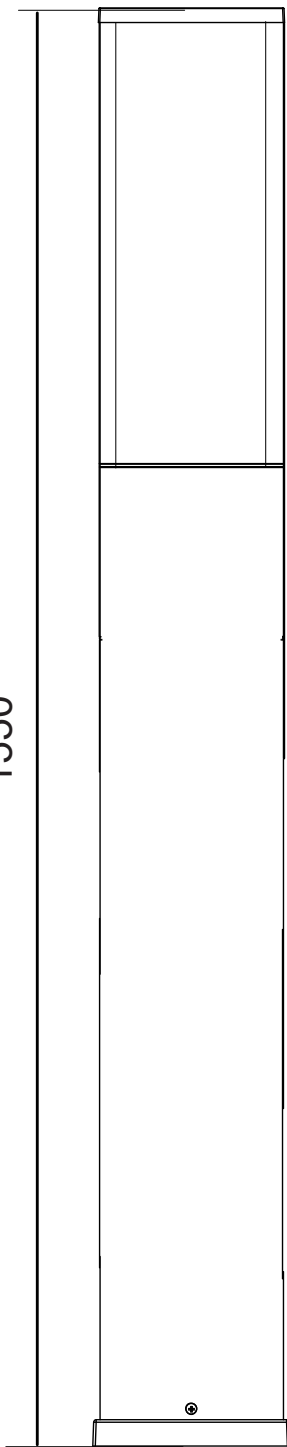
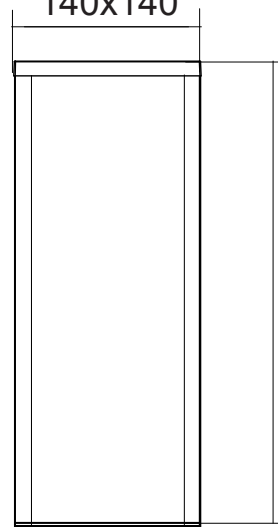


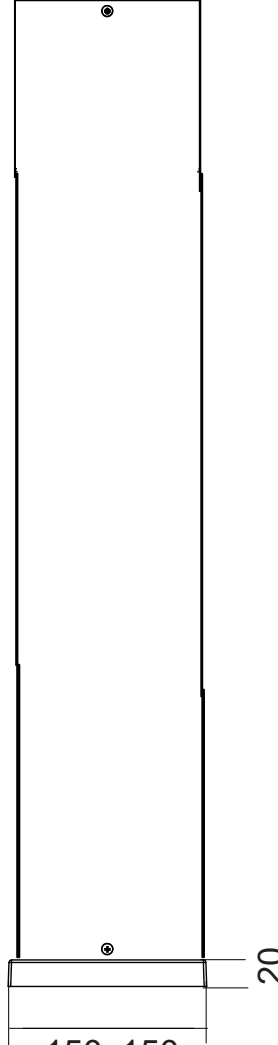
1550



140x140

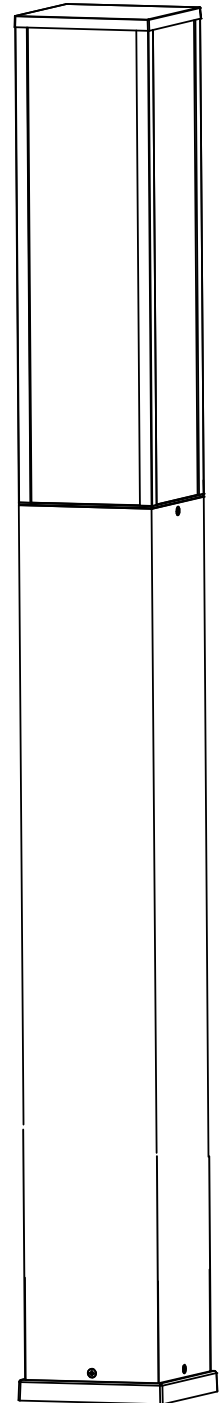
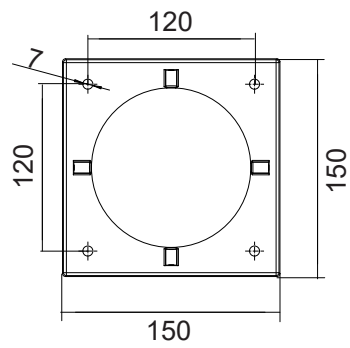
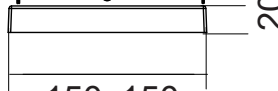


480



20

150x150



426260142